

4

3

2

1

**PLACEMENT CHART**

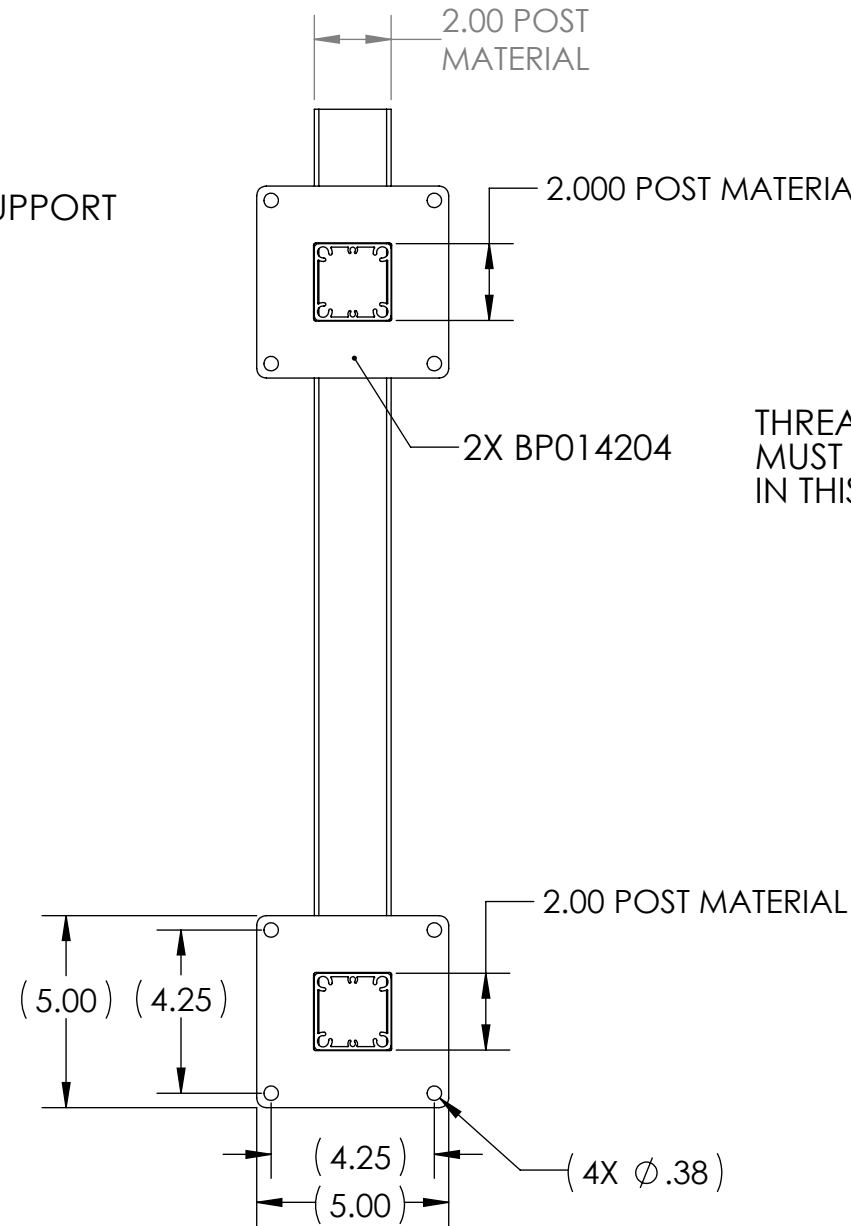
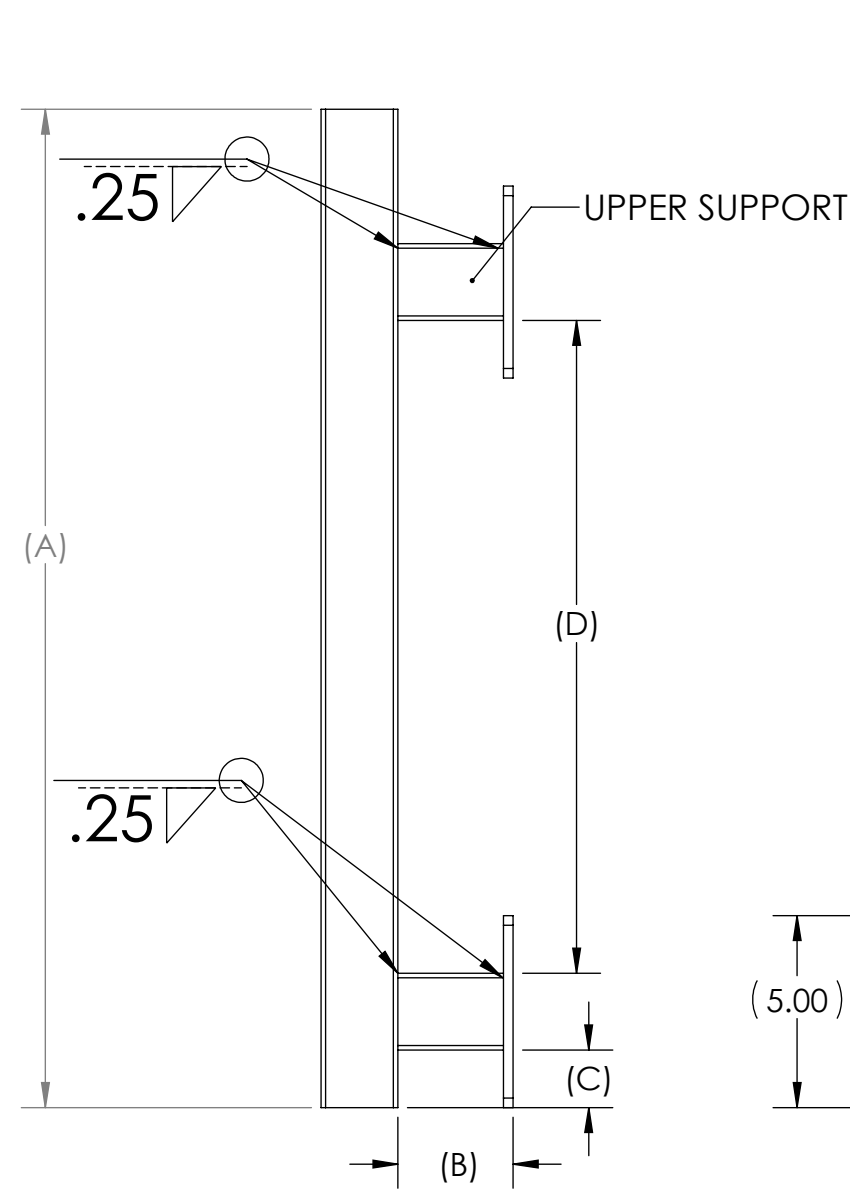
PART #	HEIGHT (A)	LENGTH (B)	OFFSET (C)	OFFSET (D)
JP048401	38.125	2.50	1.50	NO UPPER
JP048402	51.50	2"	.50	NO UPPER
JP048403	43.50	.50/CUT TUBE @ .375"	2.50	34.50
JP048404	39.625	9	2.50	30.50
CUSTOM ORDER				

REVISIONS - 0 BALLOONS DENOTE CHANGES

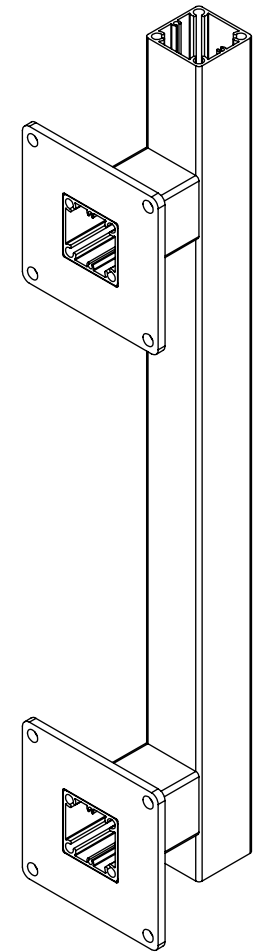
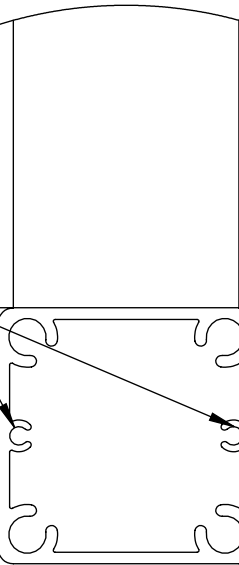
REV.	DESCRIPTION	DATE	APPROVED
A		1/26/2021	ZAG
A	ADDED JP048402	5/5/2021	ZAG
C	ADDED JP048403	7/22/2021	ZAG
D	ADDED JP08404	4/18/2022	DRC

B

A



THREAD CHASE MUST BE ORIENTED IN THIS DIRECTION!



B

A

- NOTE:**
1. ENDS TO BE FREE OF BURRS.
  2. REMOVE ALL WELD SPATTER.
  3. SCREW CHASE MUST BE ORIENTED IN DIRECTION SHOWN. PERPENDICULAR TO 1.75" POST STUBS.

UNLESS OTHERWISE SPECIFIED:	NAME	DATE
DIMENSIONS ARE IN INCHES	DRAWN	ZAG 1/26/21
TOLERANCES:	CHECKED	
SURFACE FINISH: 125 RMS	ENG APPR.	
ANGULAR: .5°	MFG APPR.	
TWO PLACE DECIMAL ± .020	THIRD ANGLE PROJECTION:	
THREE PLACE DECIMAL ± .010		
INTERPRET GEOMETRIC TOLERANCING PER:		
MATERIAL	<b>PROPRIETARY AND CONFIDENTIAL</b>	
FINISH	THE INFORMATION CONTAINED IN THIS DRAWING IS THE SOLE PROPERTY OF UltraLox. ANY REPRODUCTION IN PART OR AS A WHOLE WITHOUT THE WRITTEN PERMISSION OF UltraLox IS FORBIDDEN.	
DO NOT SCALE DRAWING		

**ULTRALOX™**  
INTERLOCKING TECHNOLOGY

TITLE: **WELDMENT DRAWING, 2" POST JULIETTE, WITH 2" POST SUPPORTS**

SIZE <b>B</b>	DWG. NO. <b>JP048400</b>	REV <b>D</b>
SCALE: 1:8	WEIGHT:	SHEET 1 OF 1

4

3

2

1