

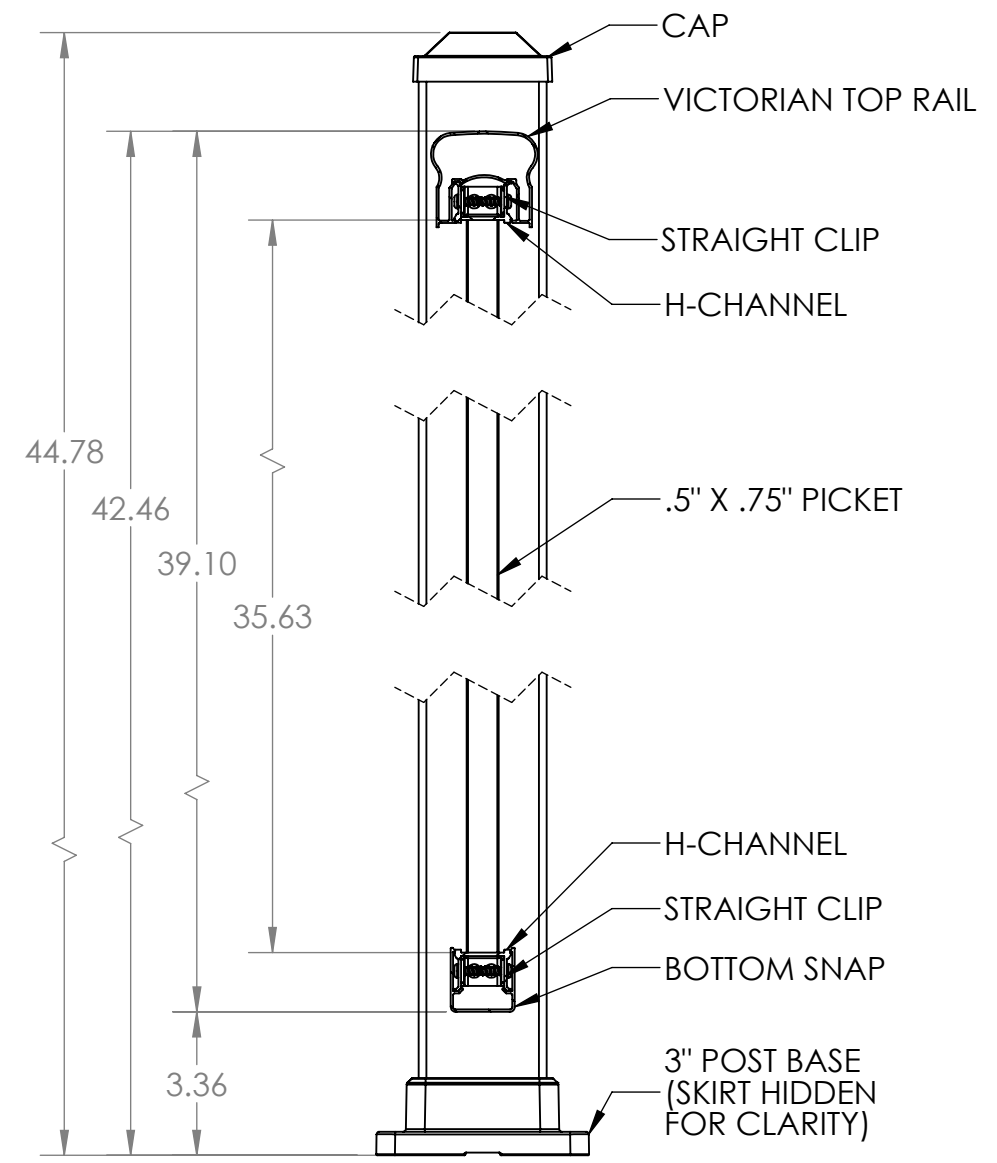
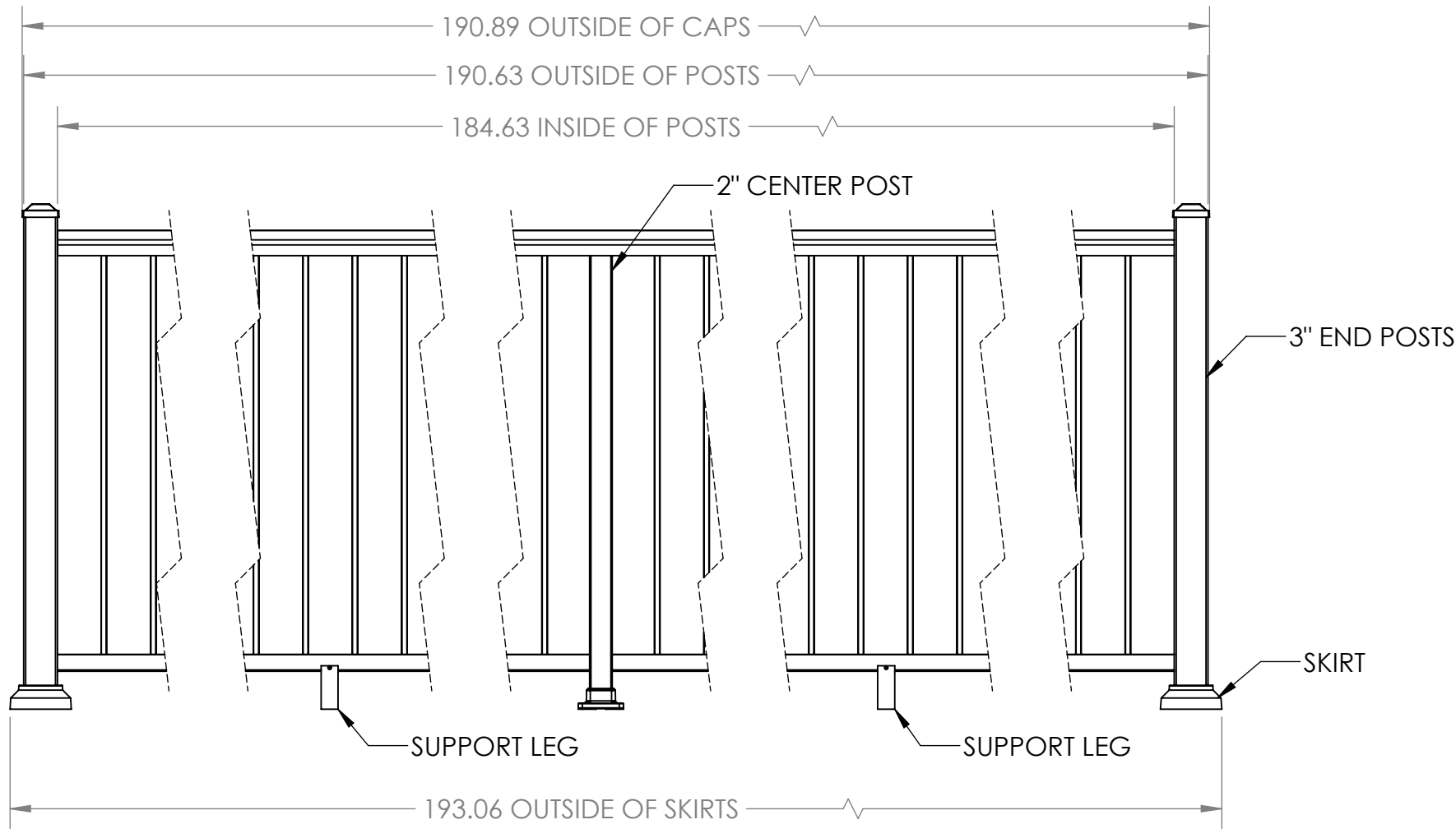
4

3

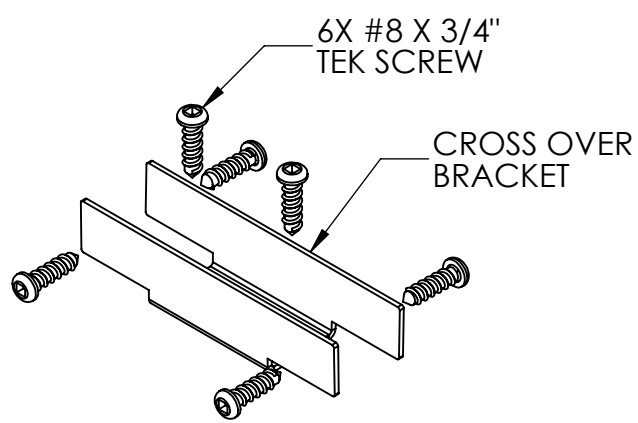
2

1

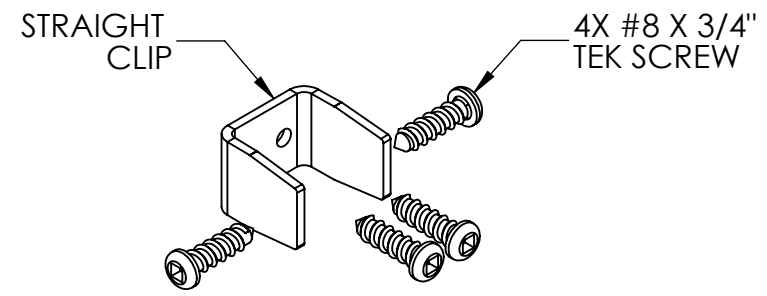
REVISIONS - BALLOONS DENOTE CHANGES			
REV.	DESCRIPTION	DATE	APPROVED
A		6/5/2018	ZAG



SECTION A-A



1X 2" CROSS OVER BRACKET  
(MOUNTS ON TOP OF CENTER POST)



6X CLIP DETAIL

NOTES:  
 1. ALL RAIL MUST BE ASSEMBLED AND FASTENED IN ACCORDANCE WITH ULTRALOX'S INSTALLATION INSTRUCTIONS.  
 2. AVAILABLE COLORS ARE BLACK - WHITE - BRONZE.

UNLESS OTHERWISE SPECIFIED:		NAME	DATE
DIMENSIONS ARE IN INCHES		DRAWN	ZAG 6/5/18
TOLERANCES:		CHECKED	
SURFACE FINISH: 125 RMS		ENG APPR.	
ANGULAR: ±.5 DEG		MFG APPR.	
LINEAR: .X ±.02		INTERPRET GEOMETRIC TOLERANCING PER: ASME Y14.5-2009	
.XX ±.010		MATERIAL	
.XXX ±.005		FINISH	
THIRD ANGLE PROJECTION:		DO NOT SCALE DRAWING	

**ULTRALOX™**

TITLE: SHOP DRAWING, VICTORIAN TOP RAIL, CONTINUOUS, 3" END POSTS, 2" CENTER POST, 42" PICKETS, 8' SECTION

SIZE DWG. NO. REV

**B** **A**

SCALE: 1:10 WEIGHT: SHEET 1 OF 1

4

3

2

1