

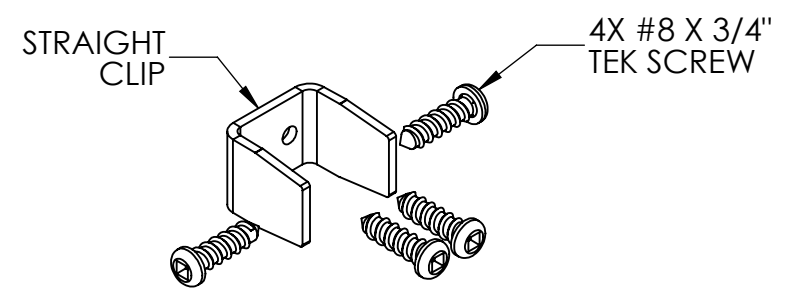
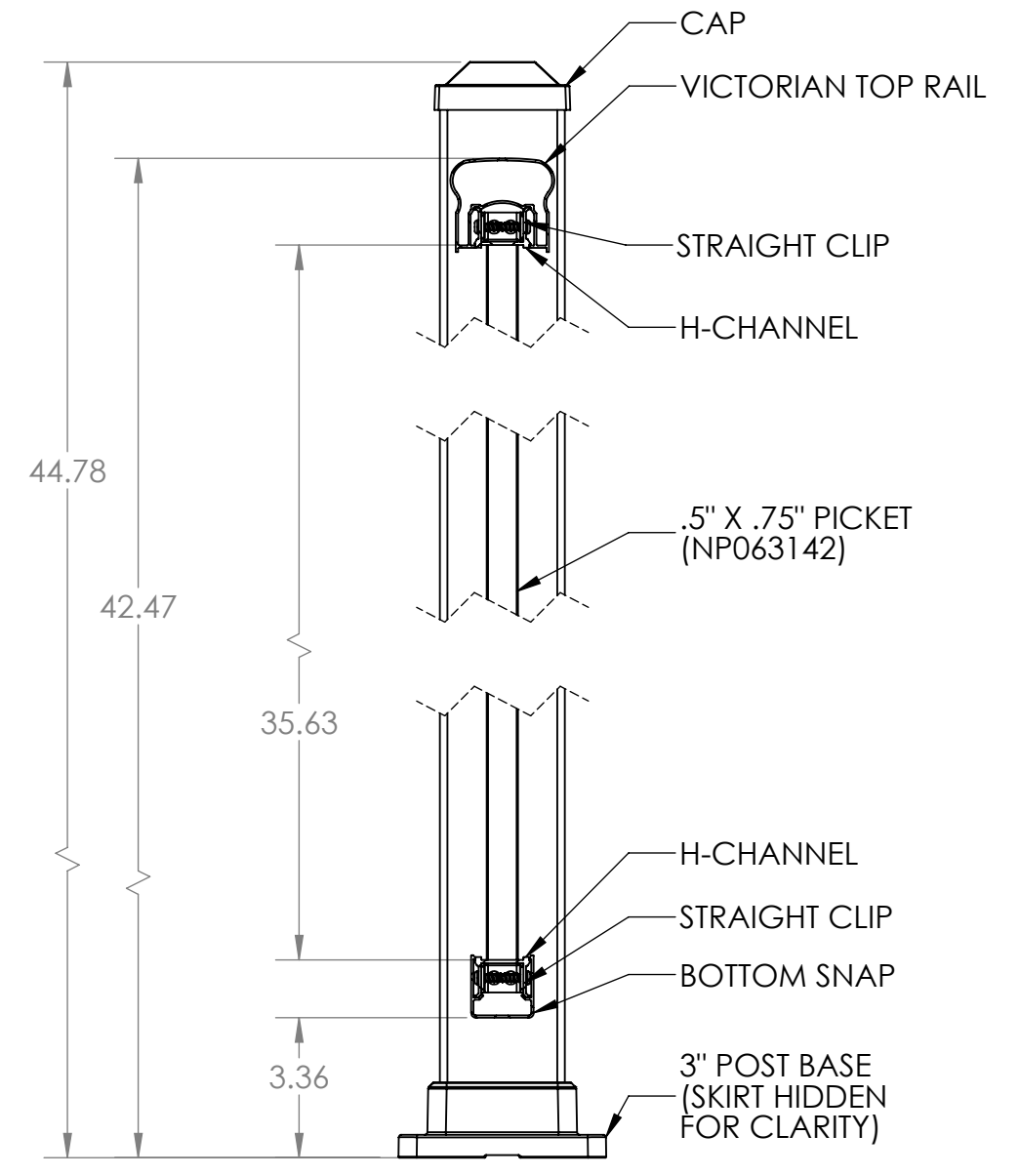
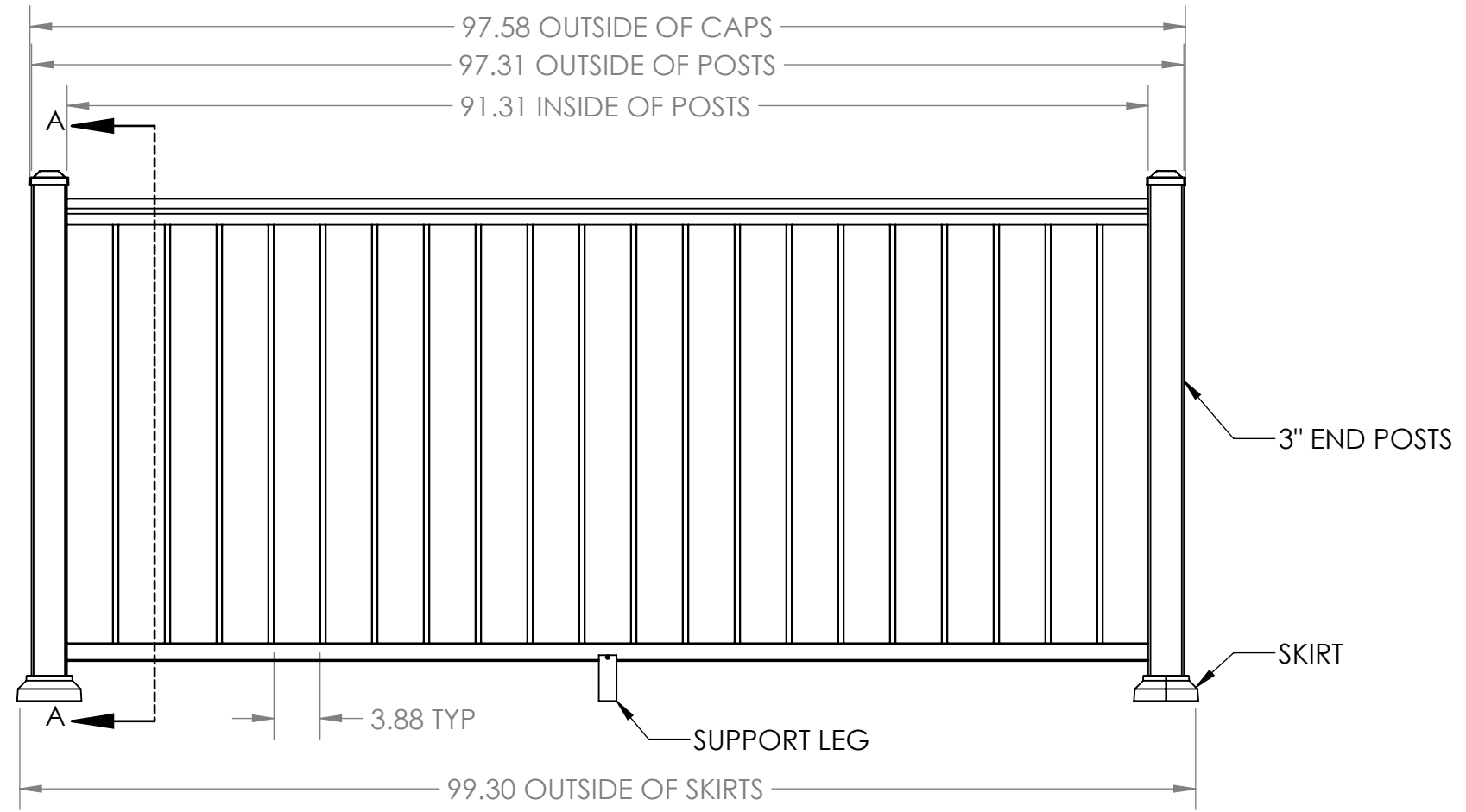
4

3

2

1

REVISIONS - BALLOONS DENOTE CHANGES			
REV.	DESCRIPTION	DATE	APPROVED
A		8/8/2017	ZAG



**SECTION A-A**

NOTES:  
 1. ALL RAIL MUST BE ASSEMBLED AND FASTENED IN ACCORDANCE WITH ULTRALOX'S INSTALLATION INSTRUCTIONS.  
 2. AVAILABLE COLORS ARE BLACK - WHITE - BRONZE.

UNLESS OTHERWISE SPECIFIED:		NAME	DATE		
DIMENSIONS ARE IN INCHES TOLERANCES: SURFACE FINISH: 125 RMS ANGULAR: ±.5 DEG LINEAR: .X ±.02 .XX ±.010 .XXX ±.005		DRAWN	ZAG 8/8/17		
THIRD ANGLE PROJECTION:		CHECKED		TITLE: SHOP DRAWING, VICTORIAN TOP RAIL, 3\"/>	
MATERIAL	INTERPRET GEOMETRIC TOLERANCING PER: ASME Y14.5-2009	ENG APPR.			
FINISH	<b>PROPRIETARY AND CONFIDENTIAL</b> THE INFORMATION CONTAINED IN THIS DRAWING IS THE SOLE PROPERTY OF UltraLox. ANY REPRODUCTION IN PART OR AS A WHOLE WITHOUT THE WRITTEN PERMISSION OF UltraLox.	MFG APPR.		SIZE DWG. NO.	REV
DO NOT SCALE DRAWING		SCALE: 1:10 WEIGHT:			<b>B</b>
					SHEET 1 OF 1

4

3

2

1