

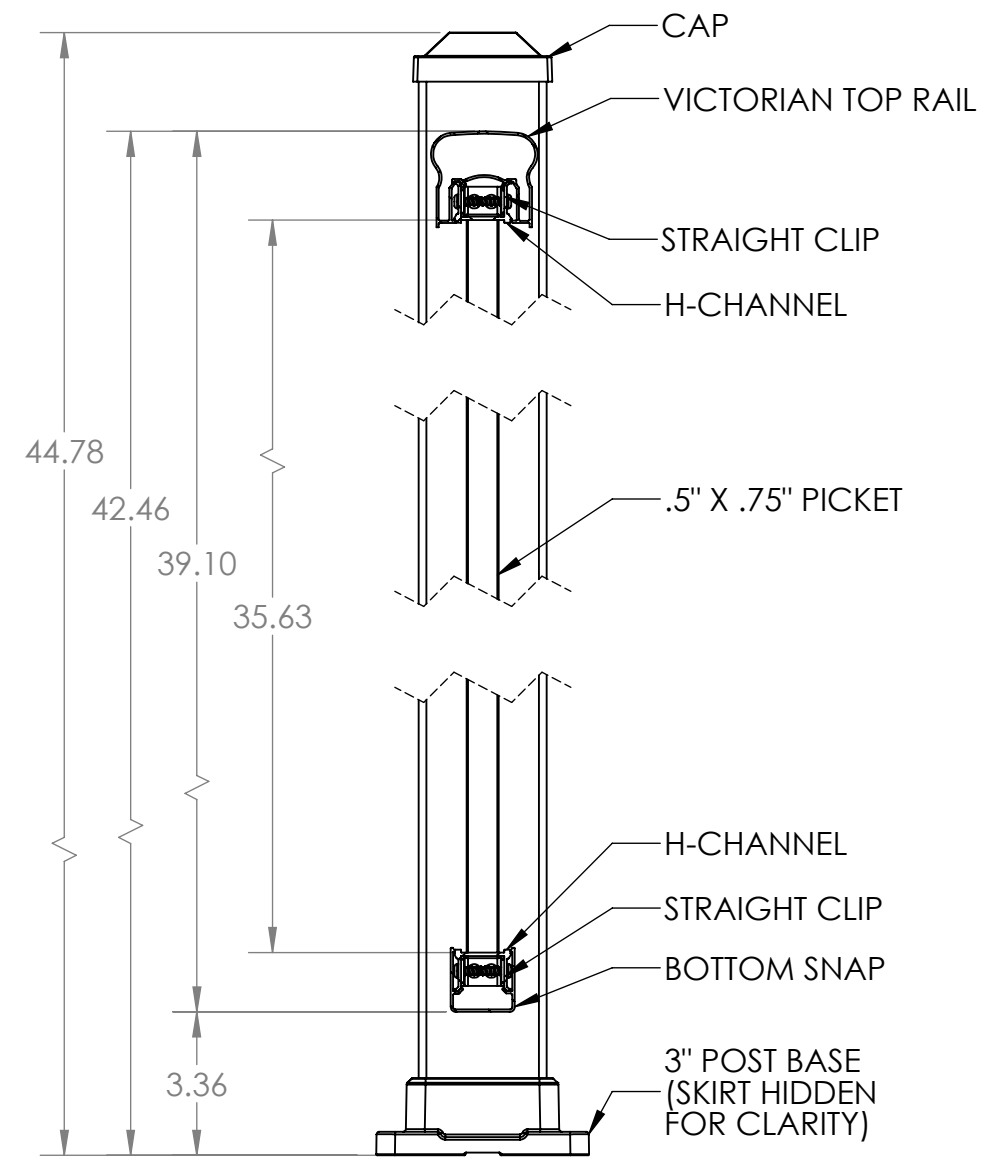
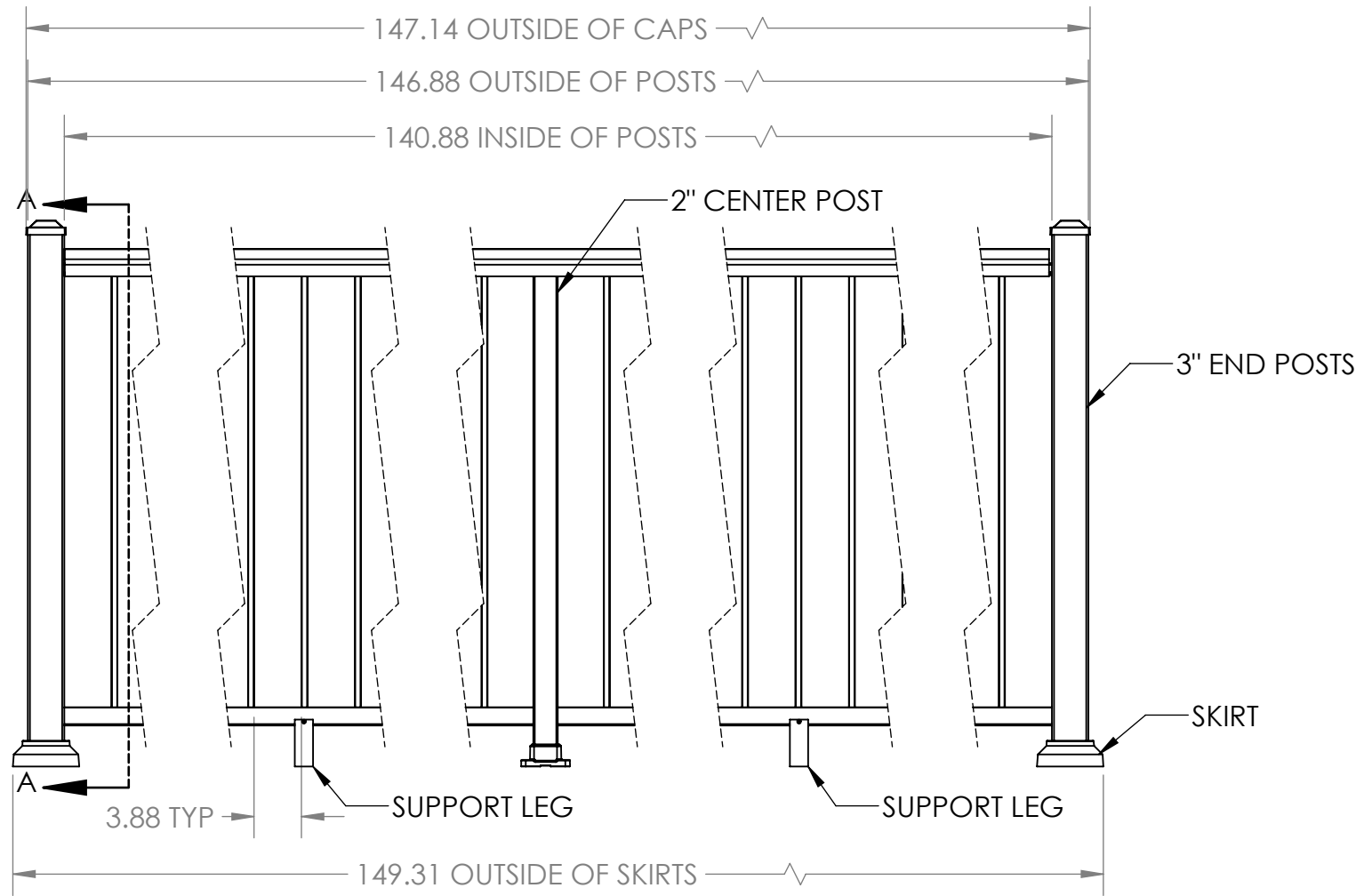
4

3

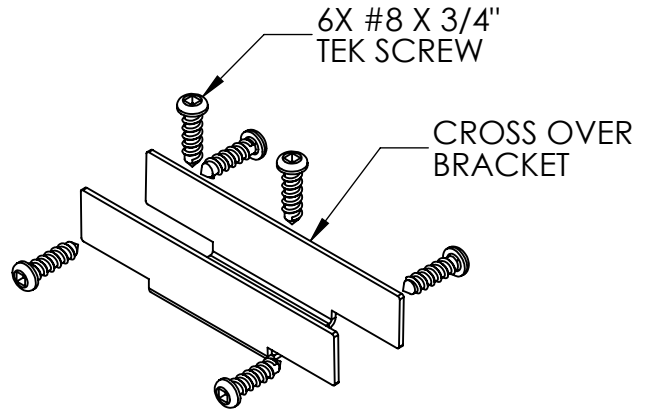
2

1

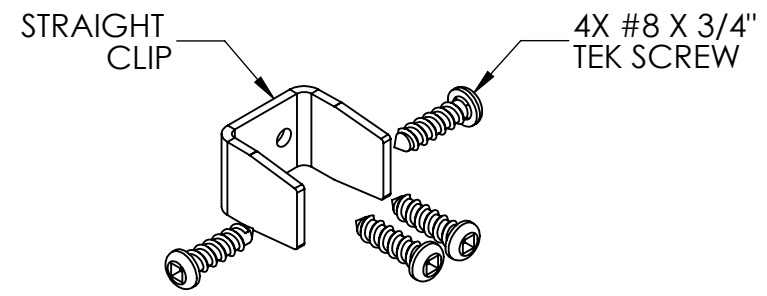
REVISIONS - BALLOONS DENOTE CHANGES			
REV.	DESCRIPTION	DATE	APPROVED
A		8/8/2017	ZAG



SECTION A-A



1X 2" CROSS OVER BRACKET (MOUNTS ON TOP OF CENTER POST)



6X CLIP DETAIL

NOTES:
 1. ALL RAIL MUST BE ASSEMBLED AND FASTENED IN ACCORDANCE WITH ULTRALOX'S INSTALLATION INSTRUCTIONS.
 2. AVAILABLE COLORS ARE BLACK - WHITE - BRONZE.

UNLESS OTHERWISE SPECIFIED:	NAME	DATE
DIMENSIONS ARE IN INCHES	DRAWN	ZAG 8/8/17
TOLERANCES:	CHECKED	
SURFACE FINISH: 125 RMS	ENG APPR.	
ANGULAR: ±.5 DEG	MFG APPR.	
LINEAR: .X ±.02		
.XX ±.010		
.XXX ±.005		
THIRD ANGLE PROJECTION:	INTERPRET GEOMETRIC TOLERANCING PER: ASME Y14.5-2009	
MATERIAL	PROPRIETARY AND CONFIDENTIAL	
FINISH	THE INFORMATION CONTAINED IN THIS DRAWING IS THE SOLE PROPERTY OF UltraLox. ANY REPRODUCTION IN PART OR AS A WHOLE WITHOUT THE WRITTEN PERMISSION OF UltraLox.	
DO NOT SCALE DRAWING		

ULTRALOX™

TITLE: SHOP DRAWING, VICTORIAN TOP RAIL, CONTINUOUS, 3" END POSTS, 2" CENTER POST, 42" PICKETS, 6' SECTION

SIZE DWG. NO. REV
B **A**

SCALE: 1:10 WEIGHT: SHEET 1 OF 1

4

3

2

1