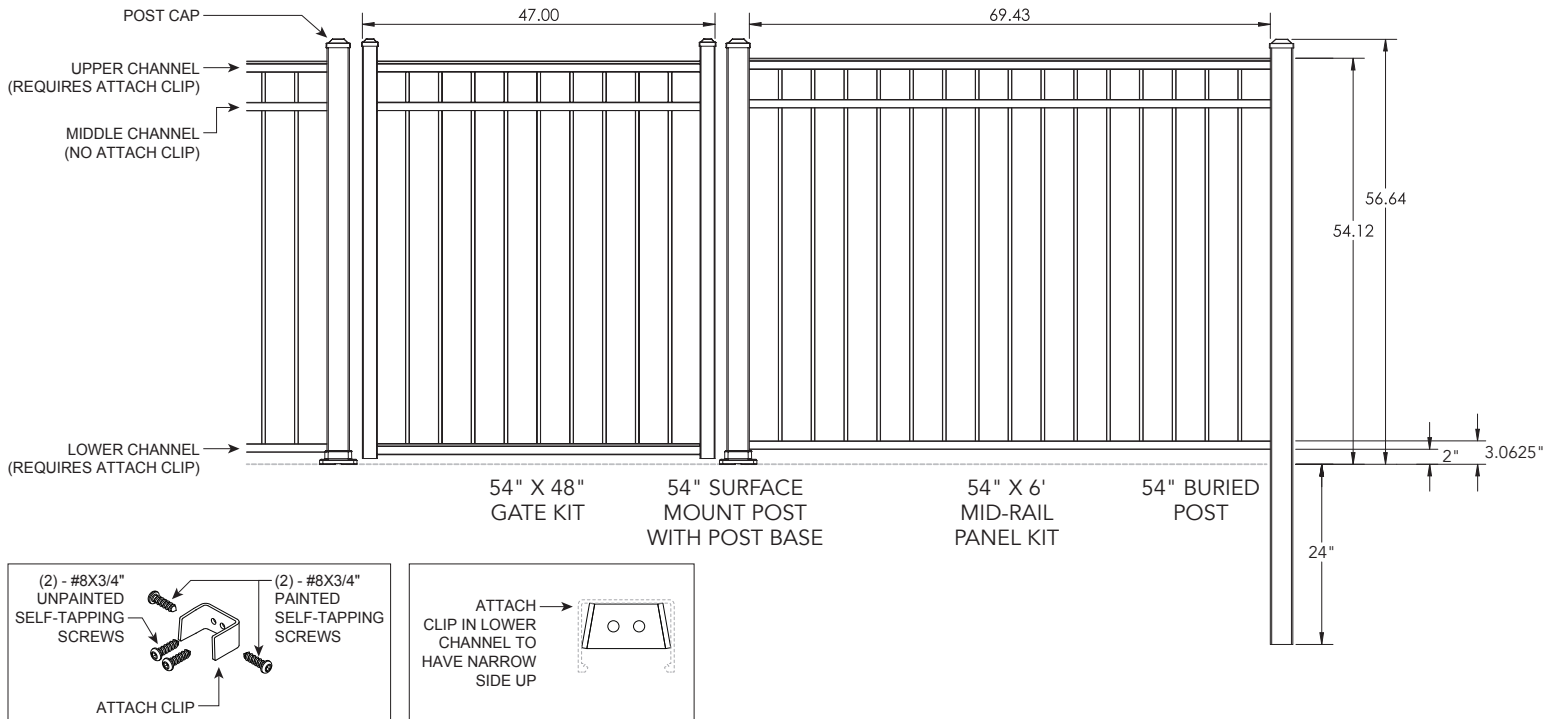


# ALUMINUM FENCE INSTALLATION INSTRUCTIONS

## FENCE ASSEMBLY OVERVIEW

- 6' X 54" PANELS WITH MIDRAIL SHOWN
- POST AND PANEL HEIGHTS VARY BY FENCE SYSTEM
- BURIED POST DEPTHS AND PANEL WIDTHS ARE CONSISTENT BETWEEN SYSTEMS



### ITEMS REQUIRED FOR INSTALLATION

SAFETY GLASSES	TAPE MEASURE	PENCIL	LEVEL	MITER SAW WITH NON-FERROUS BLADE	IMPACT DRIVER (OR CORDLESS DRILL)	4 CLAMPS	3/16" DRILL BIT		
CONCRETE DRILL BIT (SURFACE MOUNT POSTS)	6" #2 SQUARE DRIVE BIT	<b>ITEMS REQUIRED FOR BURIED POSTS</b>		WOOD STAKES	HAMMER/MALLET FOR WOOD STAKES	MASONRY STRING	POWER AUGER OR POST HOLE DIGGER	SHOVEL	CONCRETE MIX

### IMPORTANT NOTES:

- Actual fence panel widths: 6' Panels = 69.43"
- 3" posts are required to reach 6' lengths.
- Panel attach kits are included with panel kits. If panels are cut down and used as two pieces, additional panel attach kits may be purchased separately.
- Fence Panels are slightly adjustable and will accommodate sloped ground surfaces up to an 8° angle, but will reduce the distance allowed between posts. CAUTION: Over adjusting panels will cause loose and rattling pickets.
- 45° fence angles require 22.5° clips applied to each side of the post. The 22.5° clip kit is sold SEPARATELY.
- These Instructions cover installation of Aluminum Fence. Please visit Manufacturer's website for other instructions and products.
- These instructions cover installation of 6' W x 48" H panels and 6' W x 54" Mid-Rail Panels. Most illustrations are based on the 6' W x 54" H panels.
- It is the responsibility of the installer to meet all local code requirements and obtain all required building permits. The installer should determine and implement appropriate installation techniques for each installation situation. The manufacturer or its reseller shall not be held responsible for improper or unsafe installation.

### BEFORE YOU BEGIN:

- Check your local zoning laws.
- Local zoning laws and Home Owners Associations may regulate the location, style and height of your fence or even require a permit signoff beforehand.
- Check local codes for frost line depth and regulations.
- Contact your local utilities companies.
- You must have the utility companies clearly mark your property for electrical, gas or water lines to avoid puncturing any unseen underground utilities.
- Check for pool equipment and utility lines. Typically, a utility company does not mark private underground lines. If you are not 100% certain, contact your pool installer for assistance and ask them to mark all underground lines.

### WARNINGS:

- Improper installation of this product can result in personal injury. Always wear safety goggles when cutting, drilling and assembling the product.
- Incorrect installation may cause harm to the product or individual.
- DO NOT attempt to assemble products if parts are missing or damaged.

# ALUMINUM FENCE INSTALLATION INSTRUCTIONS

## A LAY OUT THE PERIMETER

### FOR BURIED POSTS:

1. Establish your fence line by staking out the area you wish to enclose. Place a stake at all corners, then stretch a masonry string between them to provide straight guide lines. (Dia.1) TIP: Set the string at exactly  $3 \frac{1}{16}$ " above the ground surface. This will help later to set posts and clips to the correct height.
2. Locate each point in which you will need an end, corner or gate post and mark it with a stake (Dia. 1). The maximum gap between end posts and a wall or other structure should be less than a 4".
3. Mark the location of all inline posts with stakes. For 6' sections using 3" posts, measure 72" between centers (Dia. 1). Actual fence panel widths: 6' Panels = 69.43". 3" posts are required to reach 6' lengths. TIP: Fence panels will allow for a MAXIMUM of 72.43" on center. It is easier to cut a panel to a shorter width than to relocate post(s) which are too far apart.

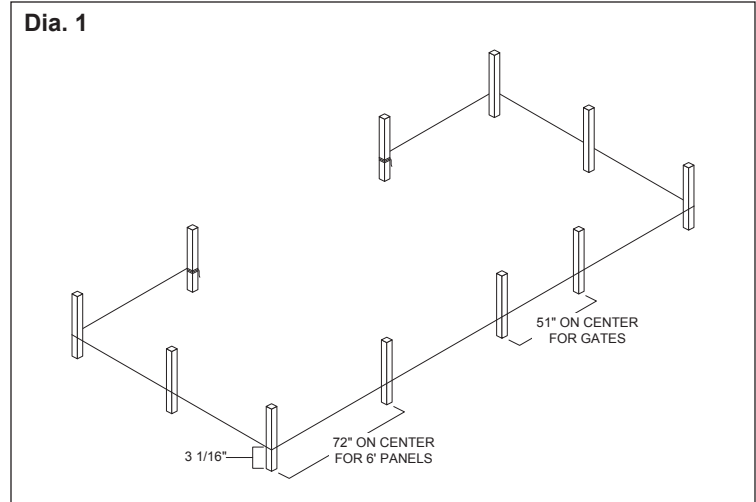
**IMPORTANT NOTE:** Installing on sloped terrain will reduce distance between posts. Panels can be racked up to 8°. Over adjusting panels can cause loose and rattling pickets. On sloped terrain, it is recommended to test fit and measure panels by setting them on the ground, adjusting for level and measuring the horizontal width from end to end. Be sure to compensate for the angle as panels should be cut at an angle to align with the posts. (Dia. 2)

4. Mark the location of gate(s) by placing a stake at each post. Fence gates are 47" wide and require a space of 48" between posts, so 3" posts should measure 51" from center to center. Fence gates cannot be racked and hinges must align, so the posts on each side of gates must be plum and level with each other. (Dia. 3)
5. The maximum gap between end posts and a wall or other structure should be less than a 4".

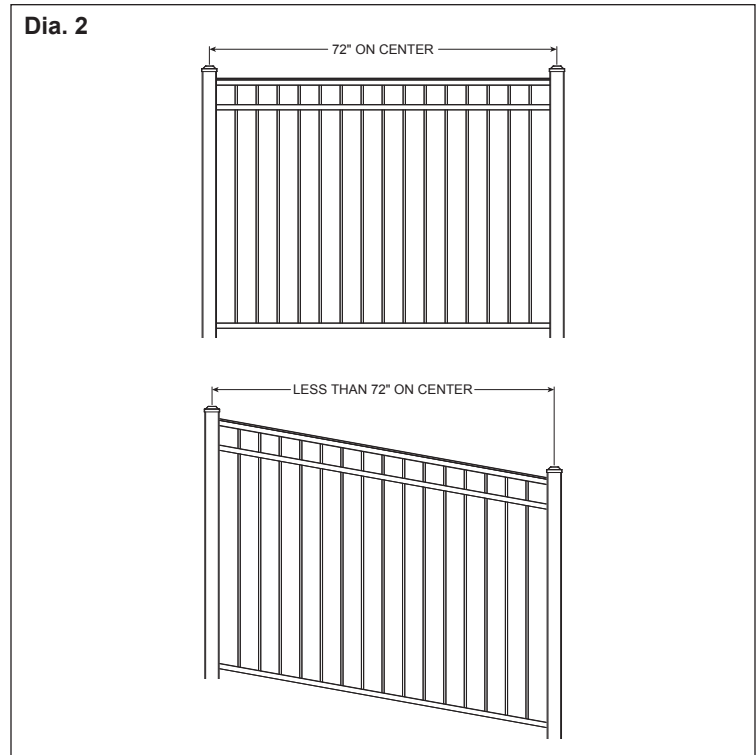
### FOR SURFACE MOUNT POSTS:

1. Establish your fence line by marking each point in which you will need an end, corner or gate post. The maximum gap between end posts and a wall or other structure should be less than a 4".
2. Mark the location of all inline posts. For 6' sections using 3" posts, measure 72" between centers (Dia. 2). Actual fence panel widths: 6' Panels = 69.43". 3" posts are required to reach 6' lengths. TIP: Fence panels will allow for a MAXIMUM of 72.43" on center. It is easier to cut a panel to a shorter width than to relocate post(s) which are too far apart.
3. Mark the location of gate(s). Fence gates are 47" wide and require a space of 48" between posts, so 3" posts should measure 51" from center to center. Fence gates cannot be racked and hinges must align, so the posts on each side of gates must be plum and level with each other. (Dia. 3)

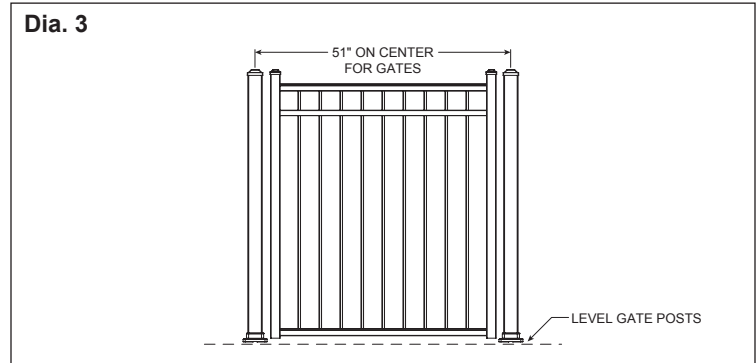
Dia. 1



Dia. 2



Dia. 3



# ALUMINUM FENCE INSTALLATION INSTRUCTIONS

## B INSTALL POSTS

### FOR BURIED POSTS:

1. Dig a post hole 6" in diameter and down to your specified frost line. Ideally, holes will have a mushroom shape so they are flared out near the bottom.
2. Pour mixed concrete into the hole to bring the depth to 12" below grade.
3. Align the post centered with staked/marked location and slide the post into the hole about 12" into the mixed concrete, checking to make sure it sits at exactly 24" deep. Post height varies by fence system, so it may be helpful to pre-measure and mark posts or to measure exposed portion of post. Use a level on adjacent sides to bring the post to plumb.
4. Add mixed concrete to fill the hole to 3-4" below grade while keeping the post centered and plumb. Place some dirt on top of the hole and pack it tight. This will help hold the post in place.
5. Repeat this process for all additional posts. TIP: It may be helpful to install corner posts, then stretch another masonry string between the tops of them after concrete sets. This helps to align inline posts.

### FOR SURFACE MOUNT POSTS:

1. For residential deck applications, install proper post blocking as per (Dia. 5). Use proper attachment screws or anchors as directed. (post-to-surface screws are not included with kits).
2. For residential deck applications, pre-drill through deck boards and into blocking with a 3/16" drill bit. For residential concrete applications, pre-drill and secure with concrete anchors. For all other surfaces, check local zoning and/or building codes or consult a licensed professional.
3. Level and plumb post using shims.
4. Secure posts to surface with suggested screws. (Dia. 5)
5. Do not install post caps until all fence panels are installed.

## C PREPARE POSTS

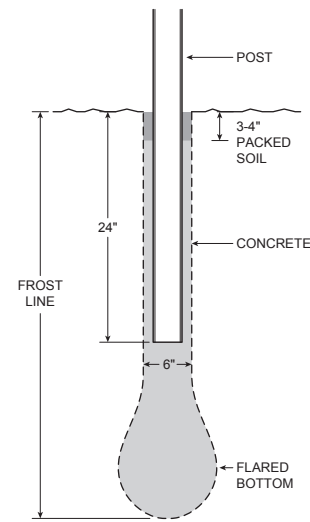
1. For all sides of posts which will hold a fence panel, measure 3 1/16" from ground/surface and place a pencil mark for location of the top edge of the lower attach clip. (Dia. 6) This measurement provides a 2" gap between the lower channel and the ground/surface and this may be adjusted. NOTE: Ensure panel will fit below post caps if adjusting for larger bottom gap.
2. Center the lower attach clip with narrow side up on post and secure with (2) - #8x3/4" Unpainted Self-tapping Screws.
3. Repeat this for all sides of posts which will support a fence panel.

## D INSTALL GATE(S)

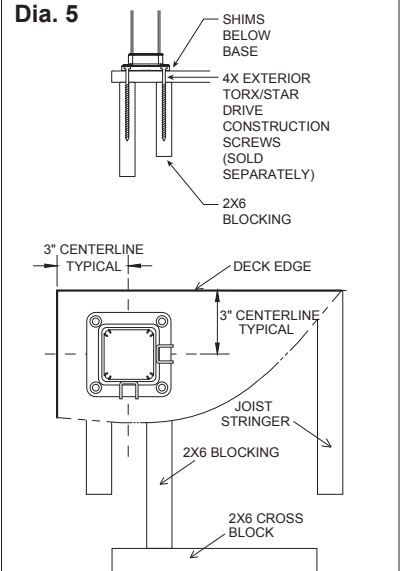
After concrete has set, start the installation of fence panels at an end or corner post. If installing a gate, it is recommended to install the gate first and then install panels next. If you're not installing a gate, skip this section.

1. Confirm posts on both sides of gate are centered with staked/marked locations, level with each other, and measure 51" from center to center (or 48" inside measurement). (Dia. 3)
2. The tops of the gate frame may be cut down to match the height of the fence posts (Optional). (Dia. 7)
3. Install the gate hinges following the instructions provided in hinge package. Gate kits include hinges with 16 self-tapping screws. It is recommended to use (also included) (8) 10-32 x 3.5" bolts for the 3" fence posts, and (8) 10-32 x 2.5" bolts for the 2" gate frame. These also include a flat washer, split lock washer, and nut for use on the backside. When using this hardware, mark and pre-drill all holes. When installing 54" gates with the open mid-rail, the top hinge MUST be placed between the top rail and midrail to be able to access the bolts. (Dia. 7)
4. Install the gate latch following the instructions provided in latch package.

Dia. 4



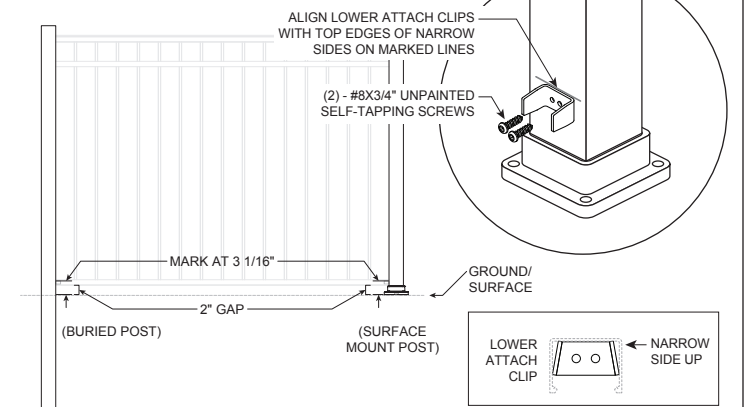
Dia. 5



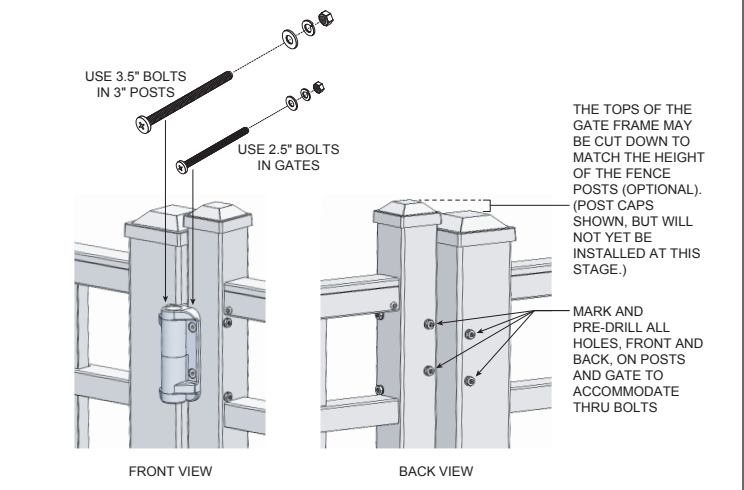
### POST-TO-SURFACE MOUNTING SCREWS:

RESIDENTIAL DECK APPLICATIONS – 5/16" X 6" EXTERIOR TORX/STAR DRIVE CONSTRUCTION SCREWS  
 RESIDENTIAL CONCRETE APPLICATIONS – TAPCON® 5/16" X 3" HEX WASHER HEAD CONCRETE ANCHOR  
 OTHER SURFACES – CHECK LOCAL ZONING AND/OR BUILDING CODES OR CONSULT A LICENSED PROFESSIONAL.

Dia. 6



Dia. 7



# ALUMINUM FENCE INSTALLATION INSTRUCTIONS

## E MARK AND CUT FENCE PANELS

After concrete has set, start the installation of fence panels at an end or corner post. If installing a gate, it is recommended to install that first, then work out from there.

1. Clamp or hold fence panel against post and adjust for equal end spacing. (Dia. 8)
2. Mark the upper and lower channels.
3. Cut fence panel 1/16" less than opening size.
4. Clean cut areas and apply touch-up paint on exposed ends.

## F INSTALL FENCE PANELS

1. Insert upper attach clips into upper channel of panel on each end. (Dia. 9)  
Upper attach clips may be placed in either orientation with the narrow side up or down.
2. Slide lower channel of pre-cut panel down onto lower attach clips (Dia. 9).  
TIP: Set the panel in at a slight angle, reach through the pickets and pull open up the bottom channel by hand and slide it onto the lower attach clips.
3. Using (4) - #8x3/4" Unpainted Self-tapping Screws, attach the upper two clips to the post.
4. Using (8) - #8x3/4" Painted Self-tapping Screws, secure the upper and lower attach clips to the panel.

## G INSTALL FENCE CAPS (UPPER CHANNEL COVERS)

1. Measure between posts at the upper channel. (Dia. 10)
2. Cut Fence Caps 1/16" less than opening.
3. Clean cut areas and apply touch-up paint on all exposed metal.
4. Snap each Fence Cap over the upper fence channel until properly seated. (Dia. 10)

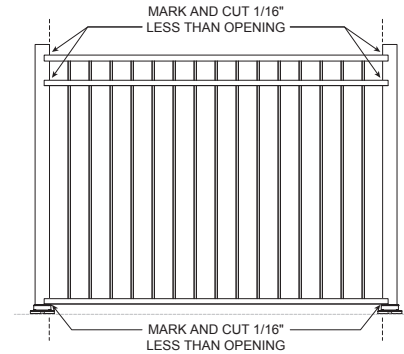
## H INSTALL POST CAPS AND POST HOLE PLUGS

Install post caps and post hole disks. It is recommended to use silicone caulk to hold these in place. (Dia. 11)

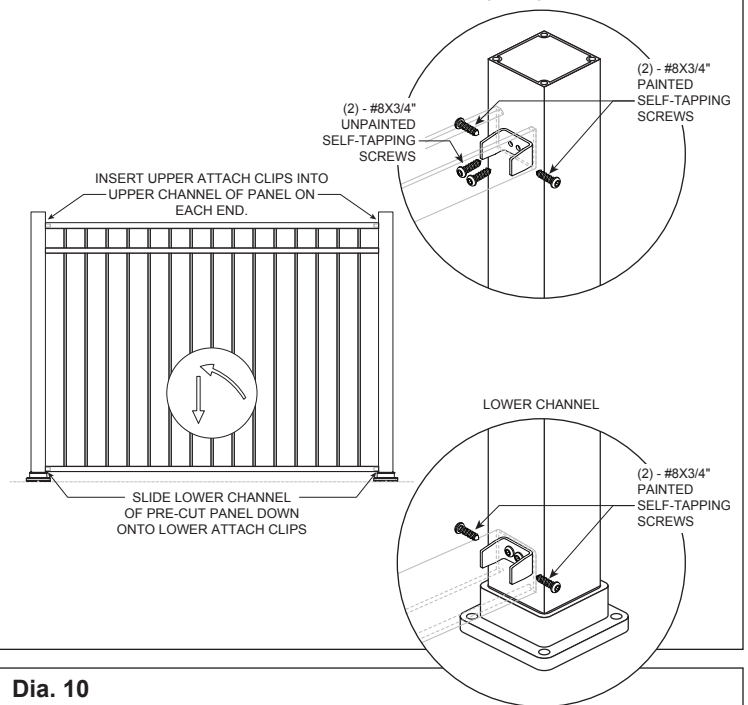
The diagrams and instructions in this brochure are for illustration purposes only and are not meant to replace a licensed professional. Any construction or use of the product must be in accordance with all local zoning and/or building codes. The consumer assumes all risks and liability associated with the construction or use of this product. The consumer or contractor should take all necessary steps to ensure the safety of everyone involved in the project, including, but not limited to, wearing the appropriate safety equipment. Except as contained in the written limited warranty, The manufacturer does not provide any other warranty, either express or implied, and shall not be liable for any damages, including consequential damages.

3/22 - Version 1.1 - part #WIWP401000

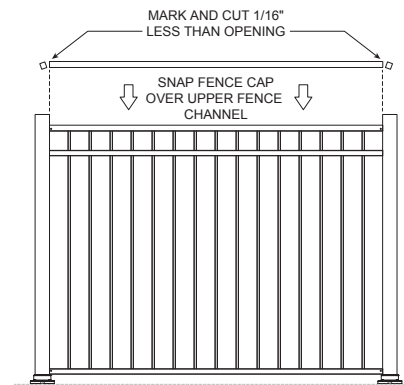
Dia. 8



Dia. 9



Dia. 10



Dia. 11

