

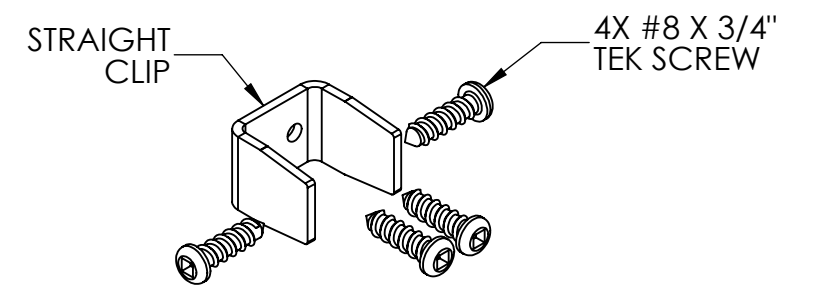
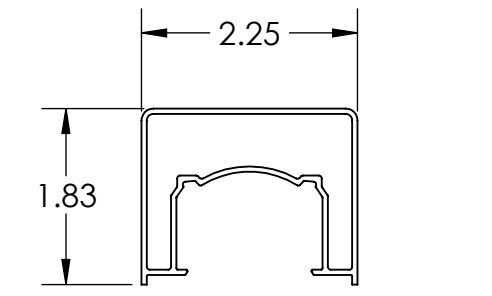
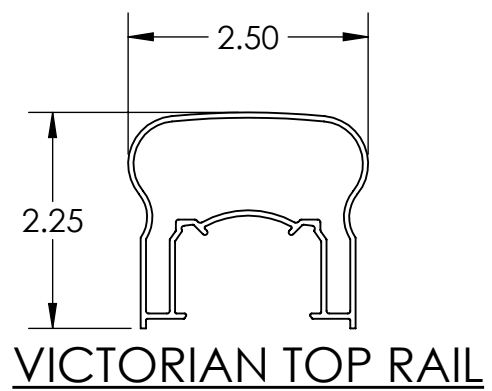
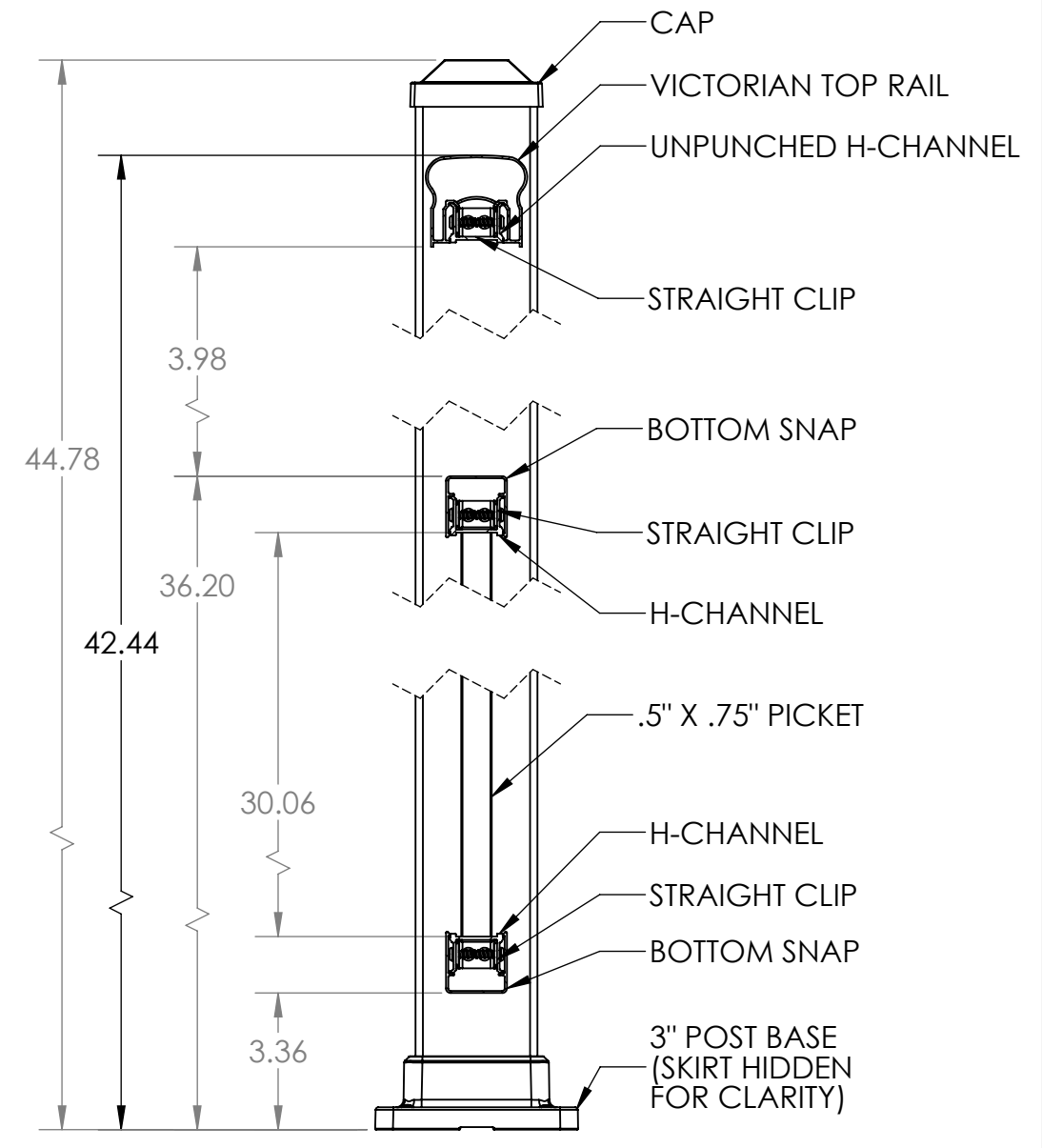
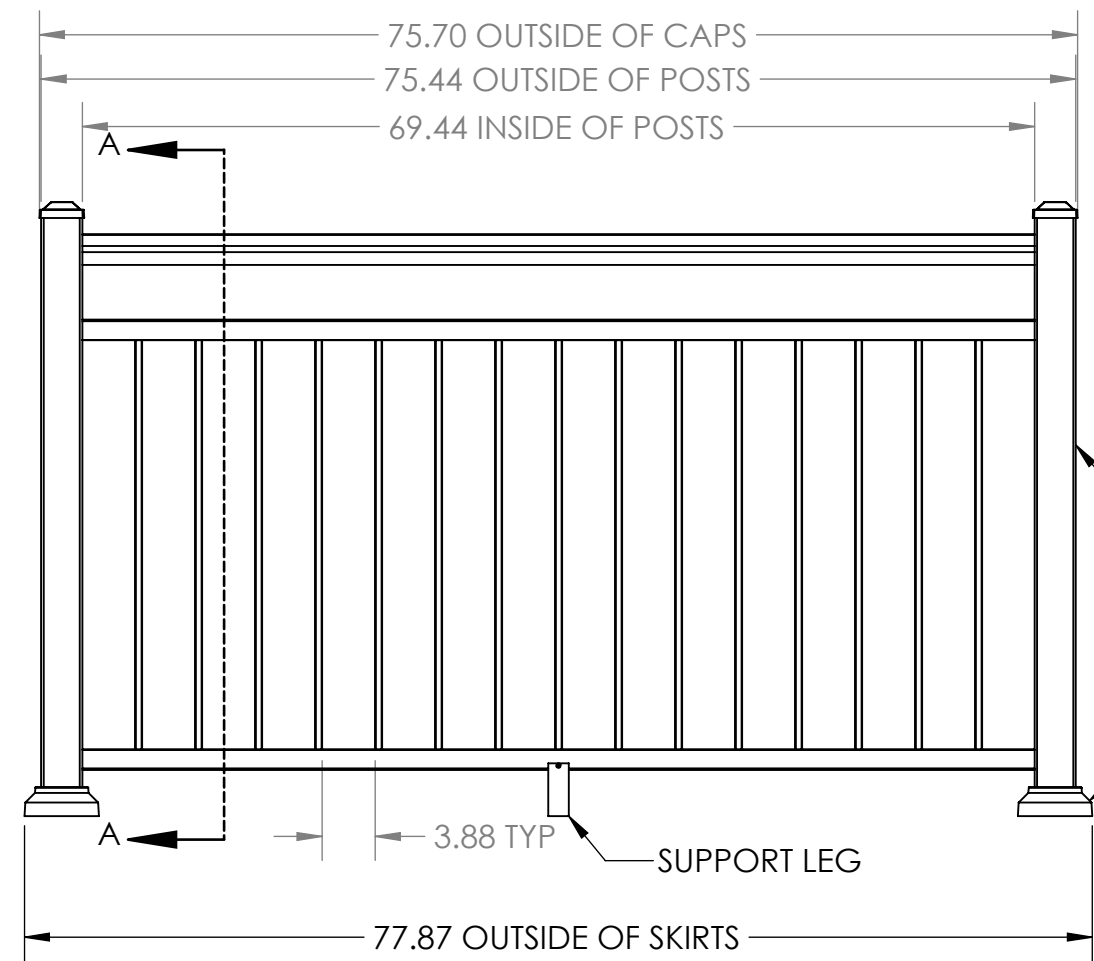
4

3

2

1

REVISIONS - BALLOONS DENOTE CHANGES			
REV.	DESCRIPTION	DATE	APPROVED
A		8/8/2017	ZAG



6X CLIP DETAIL

SECTION A-A

NOTES:
1. ALL RAIL MUST BE ASSEMBLED AND FASTENED IN ACCORDANCE WITH ULTRALOX'S INSTALLATION INSTRUCTIONS.
2. AVAILABLE COLORS ARE BLACK - WHITE - BRONZE.

UNLESS OTHERWISE SPECIFIED:		NAME	DATE	
DIMENSIONS ARE IN INCHES		DRAWN	8/8/17	
TOLERANCES:		CHECKED		TITLE: POST-TO-POST 42" TOP RAIL PICKET WITH OPEN MID RAIL 3" POSTS, BASE MOUNT 6' SECTION
SURFACE FINISH: 125 RMS		ENG APPR.		
ANGULAR: ±.5 DEG		MFG APPR.		
LINEAR: .X ±.02		INTERPRET GEOMETRIC TOLERANCING PER: ASME Y14.5-2009		SIZE DWG. NO. B
.XX ±.010 .XXX ±.005		PROPRIETARY AND CONFIDENTIAL THE INFORMATION CONTAINED IN THIS DRAWING IS THE SOLE PROPERTY OF UltraLox. ANY REPRODUCTION IN PART OR AS A WHOLE WITHOUT THE WRITTEN PERMISSION OF UltraLox.		
THIRD ANGLE PROJECTION:		DO NOT SCALE DRAWING		WEIGHT:
MATERIAL				SHEET 1 OF 1
FINISH				

4

3

2

1