

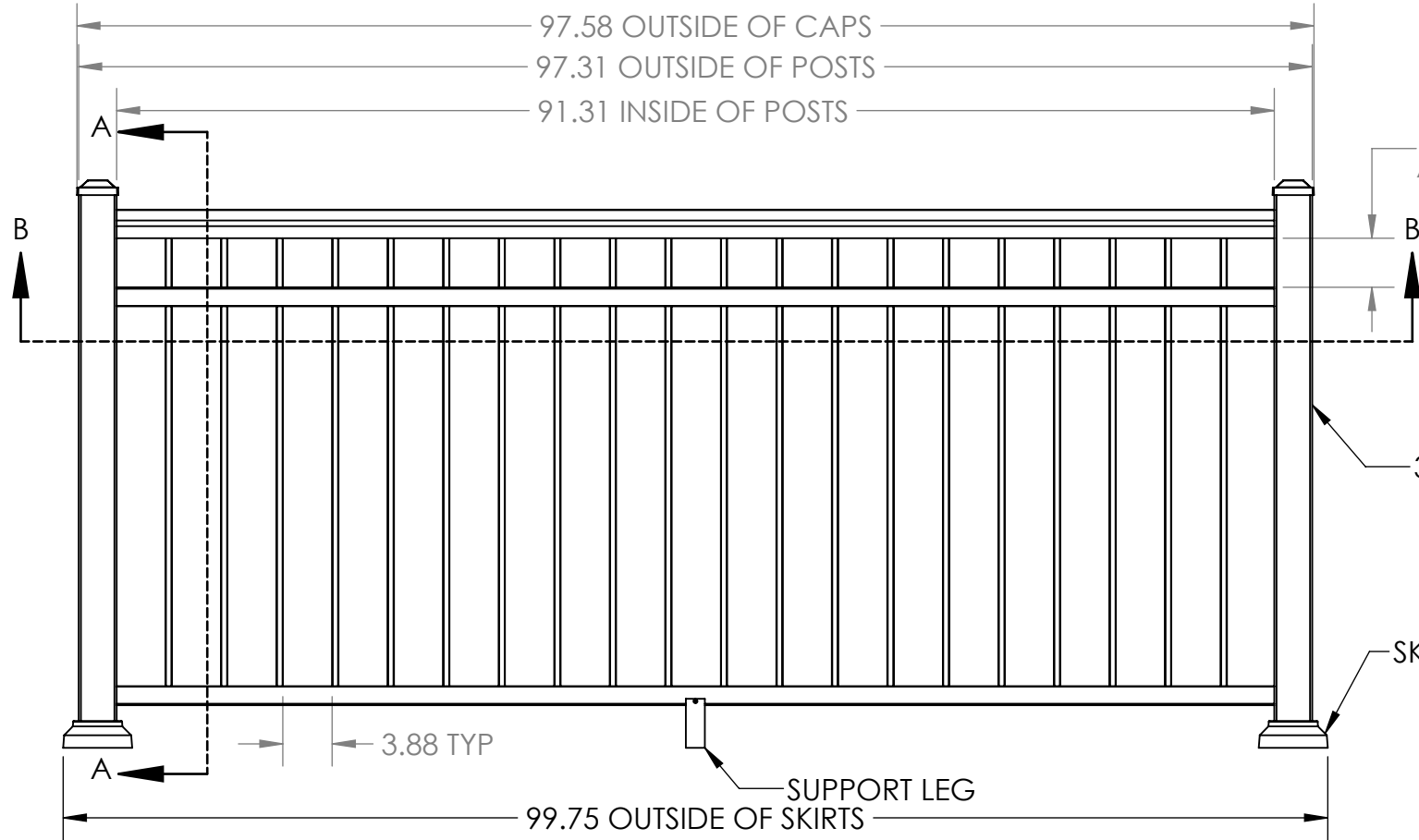
4

3

2

1

REVISIONS - BALLOONS DENOTE CHANGES			
REV.	DESCRIPTION	DATE	APPROVED
A		4/13/2020	ZAG



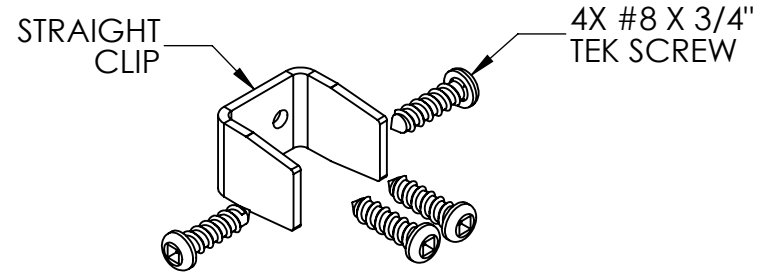
3.88 ADJUSTABLE

3" END POSTS

SKIRT

3.88 TYP

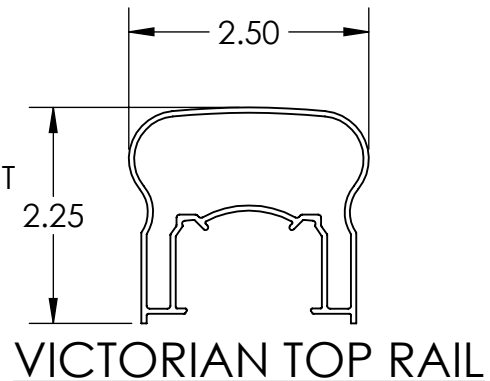
SUPPORT LEG
99.75 OUTSIDE OF SKIRTS



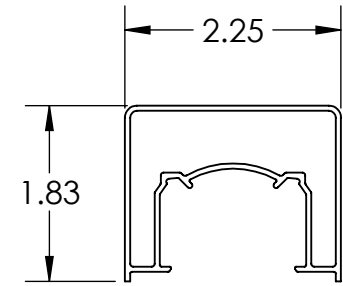
4X CLIP DETAIL

#10 X .75\"/>

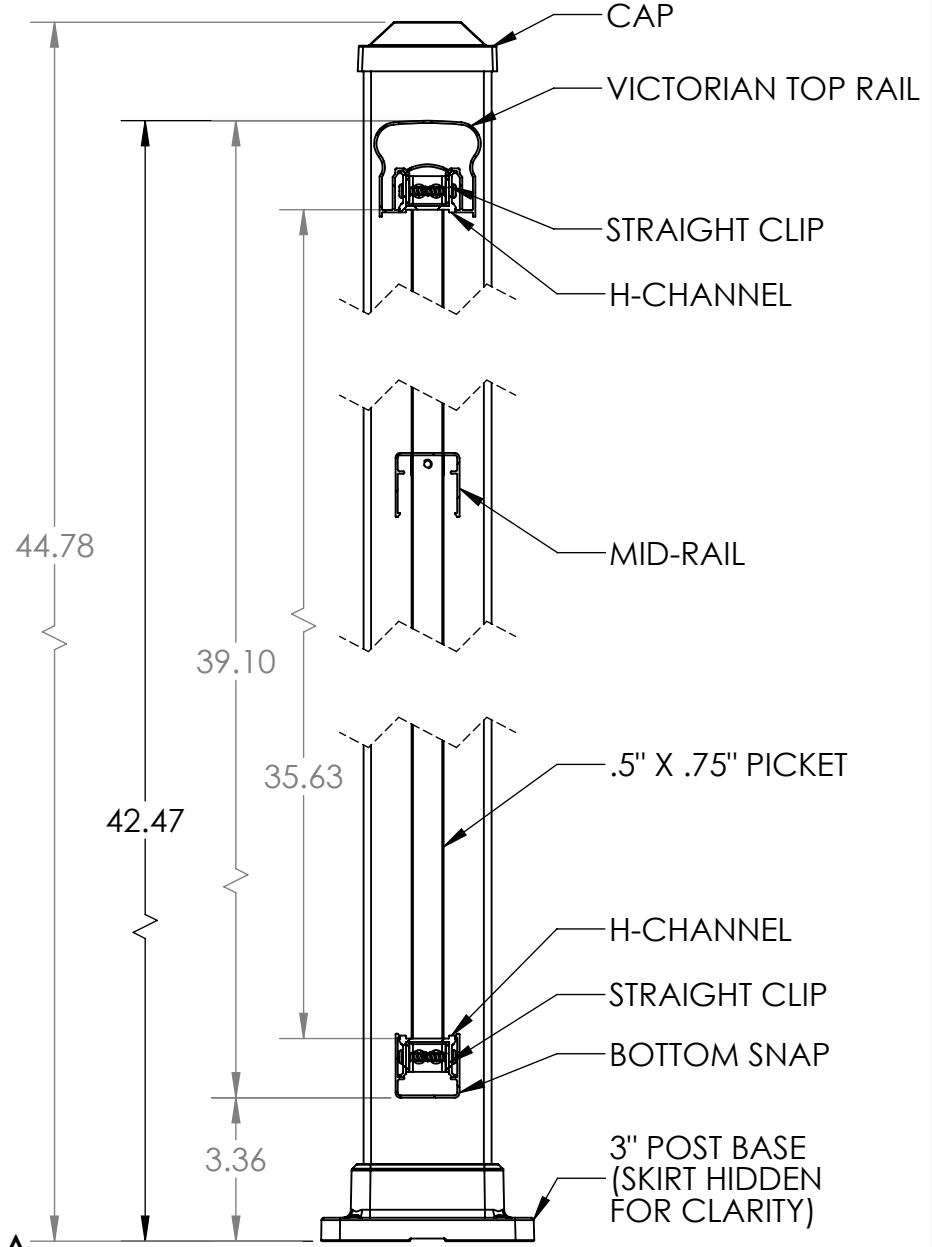
#10 X 1.50\"/>



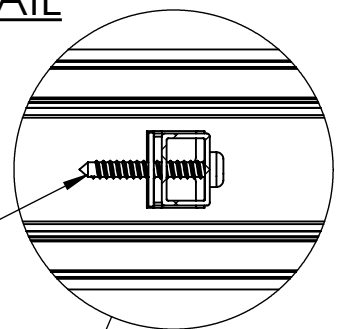
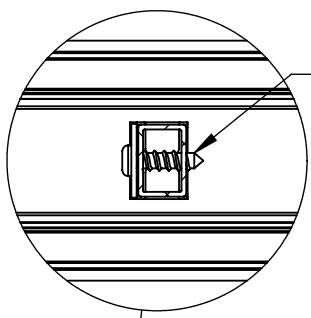
VICTORIAN TOP RAIL



ALTA TOP RAIL IS AN ALTERNATIVE OPTION WITH A 42.05\"/>



SECTION A-A



SECTION B-B

NOTES:
 1. ALL RAIL MUST BE ASSEMBLED AND FASTENED IN ACCORDANCE WITH ULTRALOX'S INSTALLATION INSTRUCTIONS.
 2. AVAILABLE COLORS ARE BLACK - WHITE - BRONZE.

UNLESS OTHERWISE SPECIFIED:		NAME	DATE
DIMENSIONS ARE IN INCHES		DRAWN	DRC 4/13/20
TOLERANCES:		CHECKED	
SURFACE FINISH: 125 RMS		ENG APPR.	
ANGULAR: ±.5 DEG		MFG APPR.	
LINEAR: .X ±.02		INTERPRET GEOMETRIC TOLERANCING PER: ASME Y14.5-2009	
.XX ±.010		MATERIAL	
.XXX ±.005		FINISH	
THIRD ANGLE PROJECTION:		DO NOT SCALE DRAWING	



TITLE:
 POST-TO-POST 42" TOP RAIL
 PICKET WITH MID RAIL
 3" END POSTS - BASE MOUNT
 8' SECTION

SIZE	DWG. NO.	REV
B		A
WEIGHT:		SHEET 1 OF 1

4

3

2

1