

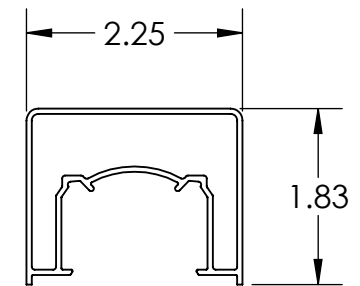
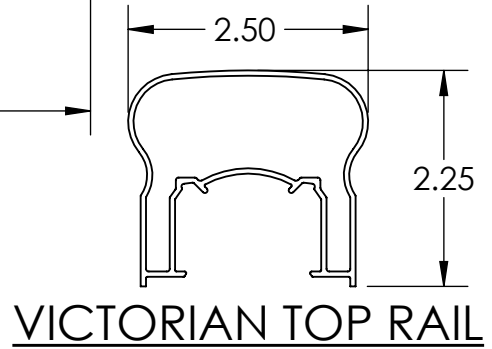
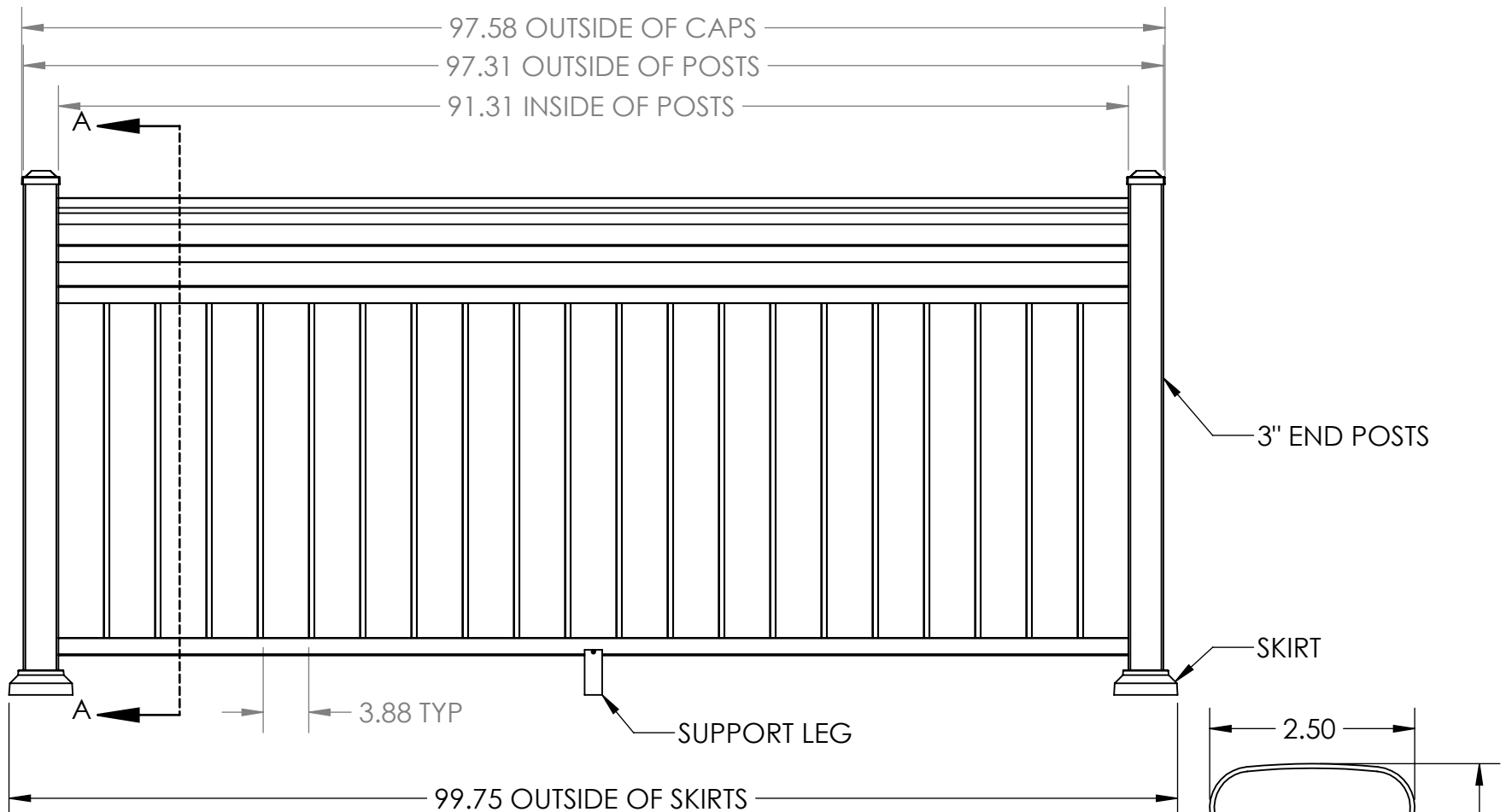
4

3

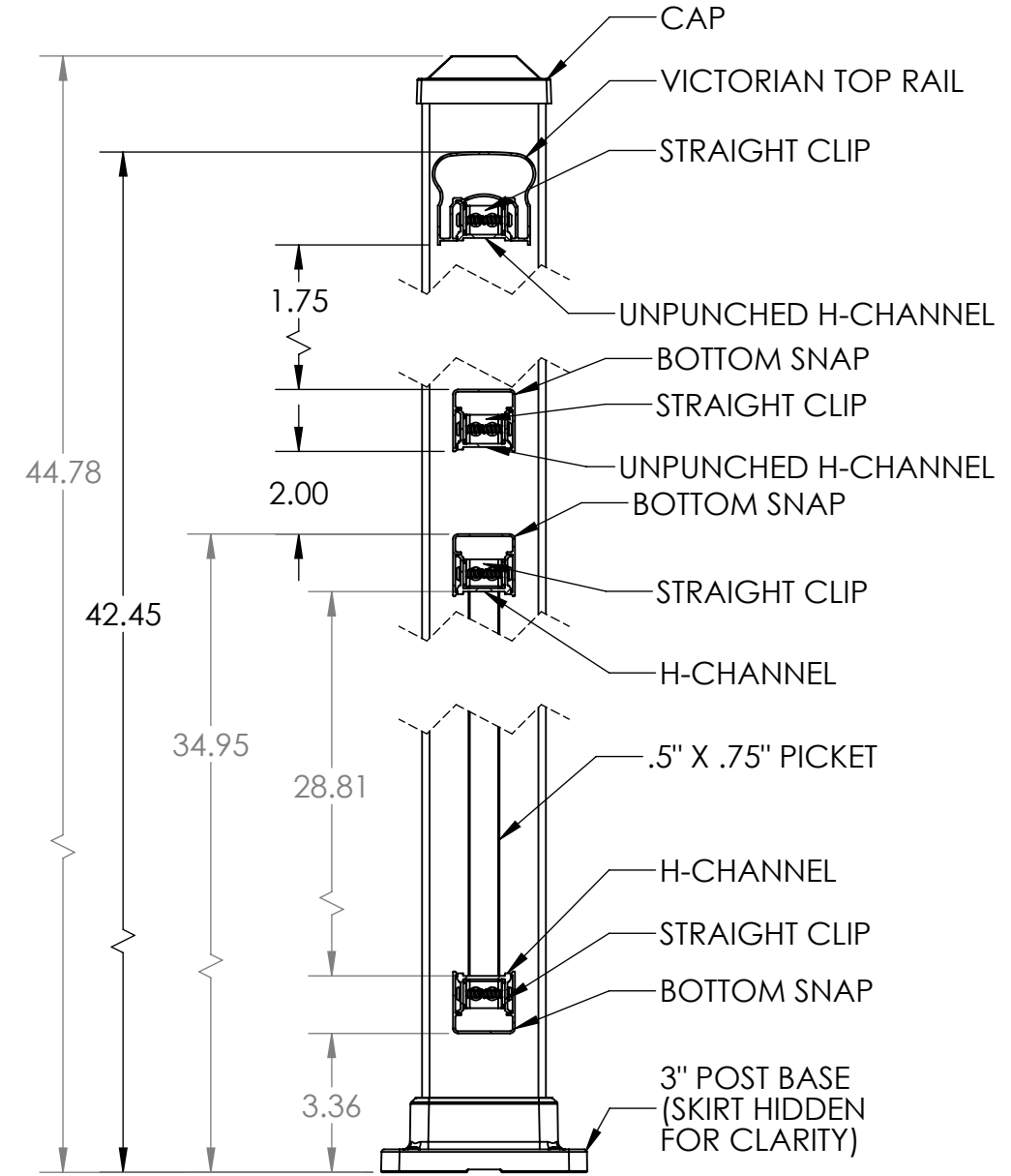
2

1

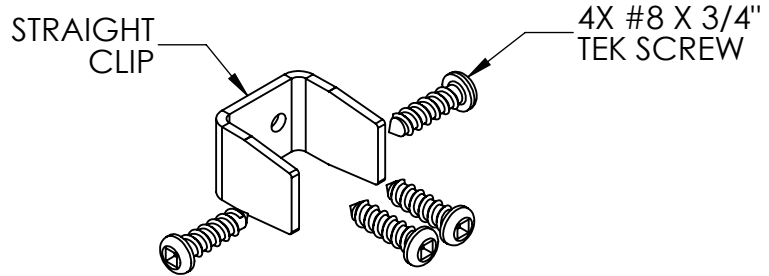
| REVISIONS - BALLOONS DENOTE CHANGES |             |         |          |
|-------------------------------------|-------------|---------|----------|
| REV.                                | DESCRIPTION | DATE    | APPROVED |
| A                                   |             | 4/14/20 | ZAG      |



**ALTA TOP RAIL IS AN ALTERNATIVE OPTION WITH A 42.03" OVERALL HEIGHT**



**SECTION A-A**



**6X CLIP DETAIL**

NOTES:  
 1. ALL RAIL MUST BE ASSEMBLED AND FASTENED IN ACCORDANCE WITH ULTRALOX'S INSTALLATION INSTRUCTIONS.  
 2. AVAILABLE COLORS ARE BLACK - WHITE - BRONZE.

|                             |  |           |             |
|-----------------------------|--|-----------|-------------|
| UNLESS OTHERWISE SPECIFIED: |  | NAME      | DATE        |
| DIMENSIONS ARE IN INCHES    |  | DRAWN     | DRC 4/14/20 |
| TOLERANCES:                 |  | CHECKED   |             |
| SURFACE FINISH: 125 RMS     |  | ENG APPR. |             |
| ANGULAR: ±.5 DEG            |  | MFG APPR. |             |
| LINEAR: .X ±.02             |  |           |             |
| .XX ±.010                   |  |           |             |
| .XXX ±.005                  |  |           |             |
| THIRD ANGLE PROJECTION:     | INTERPRET GEOMETRIC TOLERANCING PER: ASME Y14.5-2009   |           |             |
| MATERIAL                    | <b>PROPRIETARY AND CONFIDENTIAL</b>  |           |             |
| FINISH                      | THE INFORMATION CONTAINED IN THIS DRAWING IS THE SOLE PROPERTY OF UltraLox. ANY REPRODUCTION IN PART OR AS A WHOLE WITHOUT THE WRITTEN PERMISSION OF UltraLox. |           |             |
| DO NOT SCALE DRAWING        |  |           |             |



TITLE:  
**POST-TO-POST 42" TOP RAIL PICKET WITH DOUBLE OPEN MID RAIL 3" POSTS, BASE MOUNT 8' SECTION**

|          |              |          |
|----------|--------------|----------|
| SIZE     | DWG. NO.     | REV      |
| <b>B</b> |              | <b>A</b> |
| WEIGHT:  | SHEET 1 OF 1 |          |

4

3

2

1