

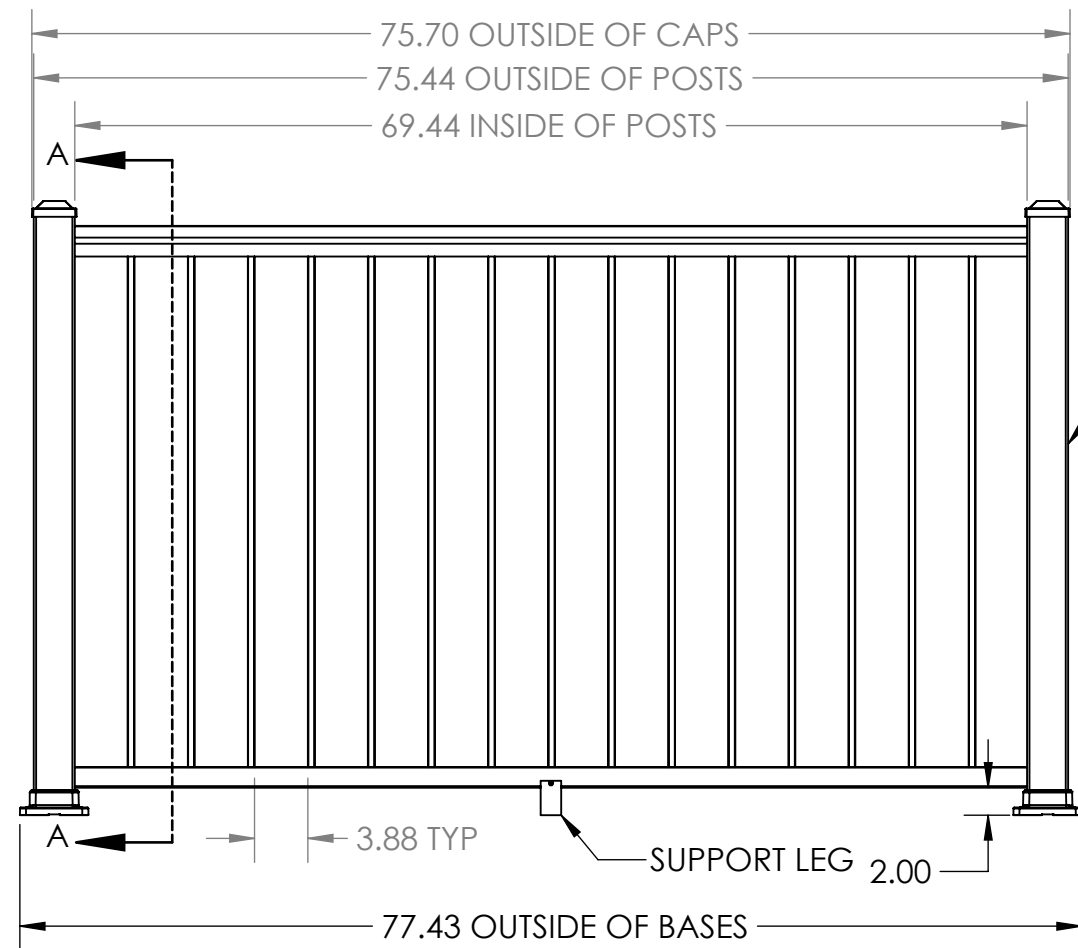
4

3

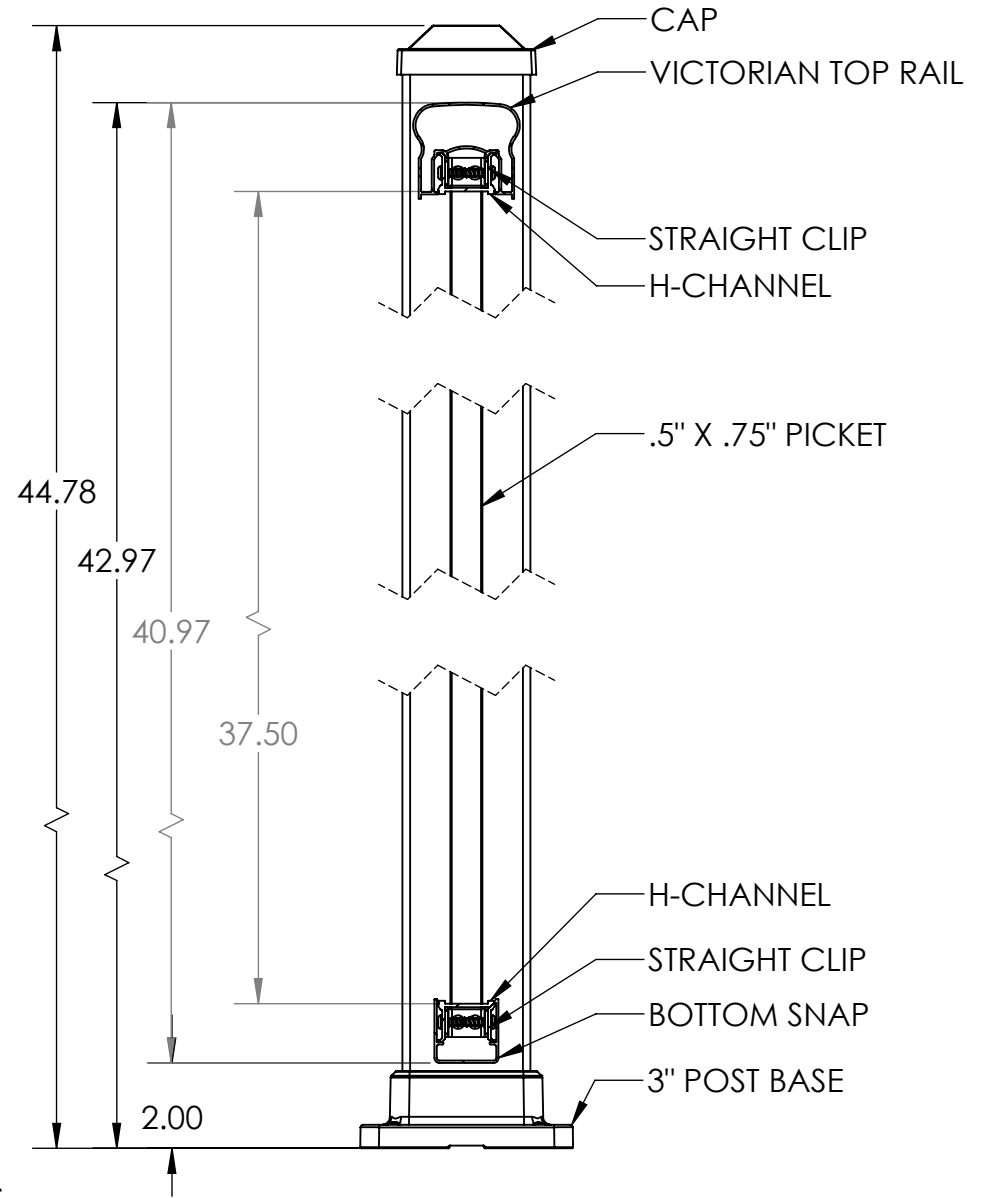
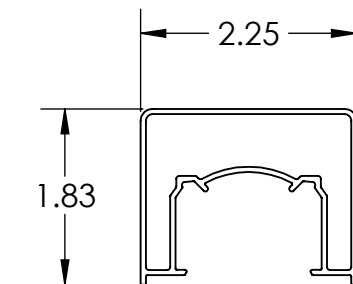
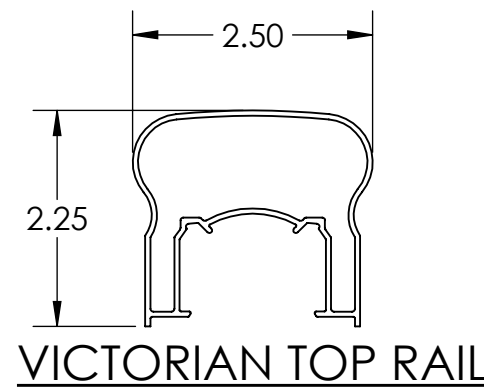
2

1

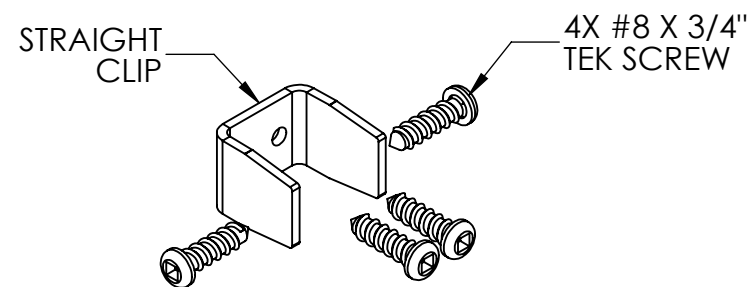
REVISIONS - BALLOONS DENOTE CHANGES			
REV.	DESCRIPTION	DATE	APPROVED
A		1/12/2018	ZAG



3" END POSTS



SECTION A-A



4X CLIP DETAIL

NOTES:  
 1. ALL RAIL MUST BE ASSEMBLED AND FASTENED IN ACCORDANCE WITH ULTRALOX'S INSTALLATION INSTRUCTIONS.  
 2. AVAILABLE COLORS ARE BLACK - WHITE - BRONZE.

UNLESS OTHERWISE SPECIFIED:		NAME	DATE
DIMENSIONS ARE IN INCHES		DRAWN	ZAG 1/12/18
TOLERANCES:		CHECKED	
SURFACE FINISH: 125 RMS		ENG APPR.	
ANGULAR: ±.5 DEG		MFG APPR.	
LINEAR: .X ±.02		INTERPRET GEOMETRIC TOLERANCING PER: ASME Y14.5-2009	
.XX ±.010		MATERIAL	
.XXX ±.005		FINISH	
THIRD ANGLE PROJECTION:		DO NOT SCALE DRAWING	



TITLE: POST-TO-POST 42" TOP RAIL PICKET INFILL - 3" END POSTS BASE MOUNT - 6' SECTION 2" BOTTOM GAP		
SIZE	DWG. NO.	REV
<b>B</b>		<b>A</b>
SCALE: 1:10 WEIGHT:		SHEET 1 OF 1

4

3

2

1