

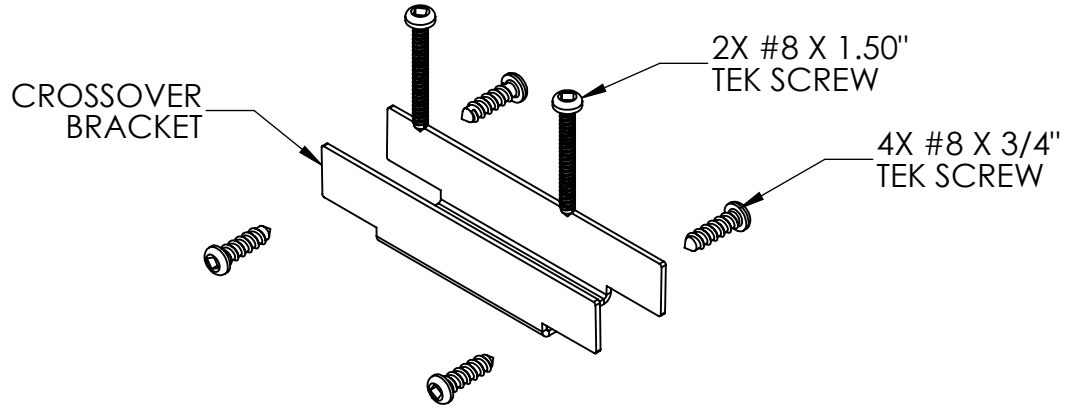
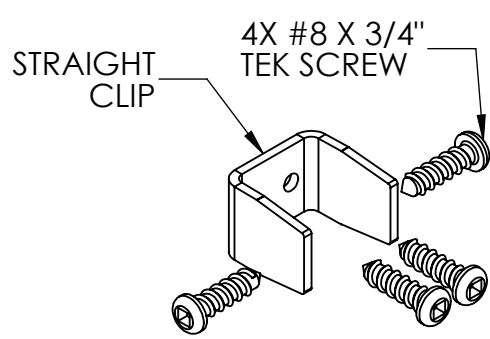
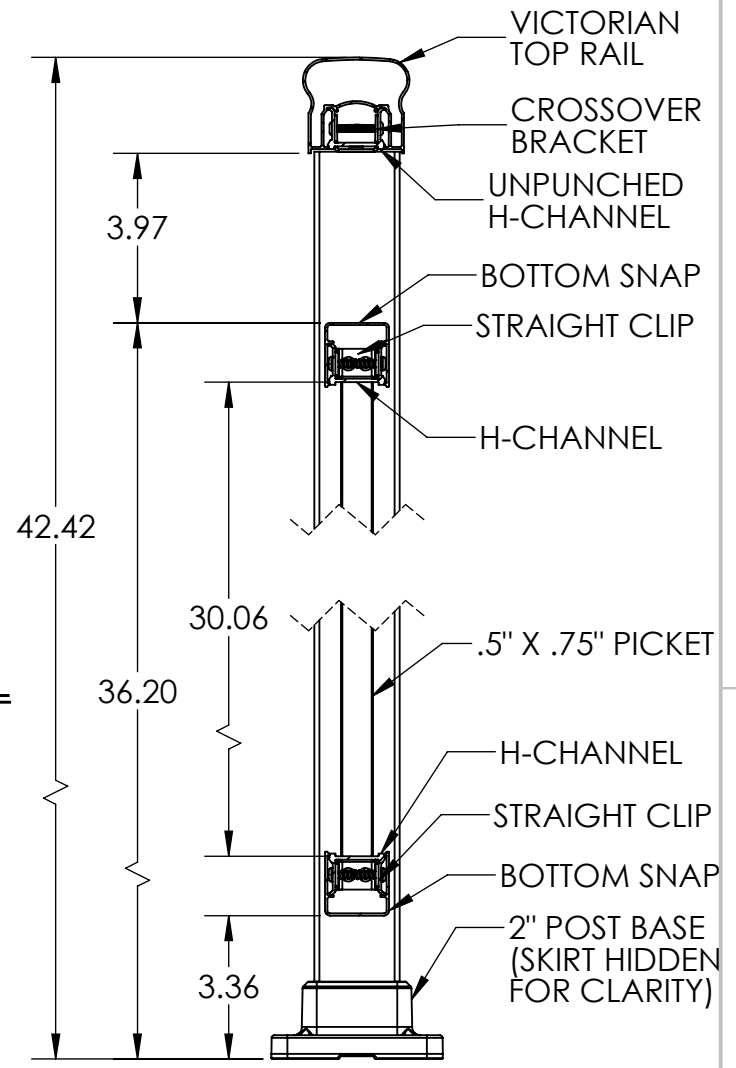
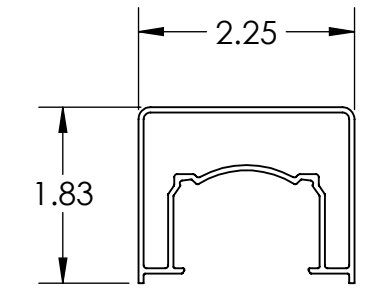
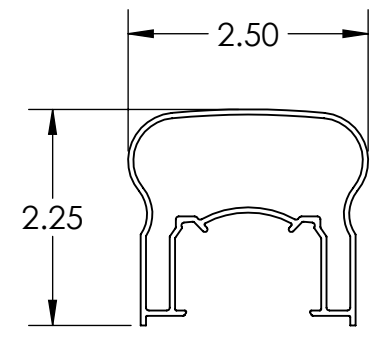
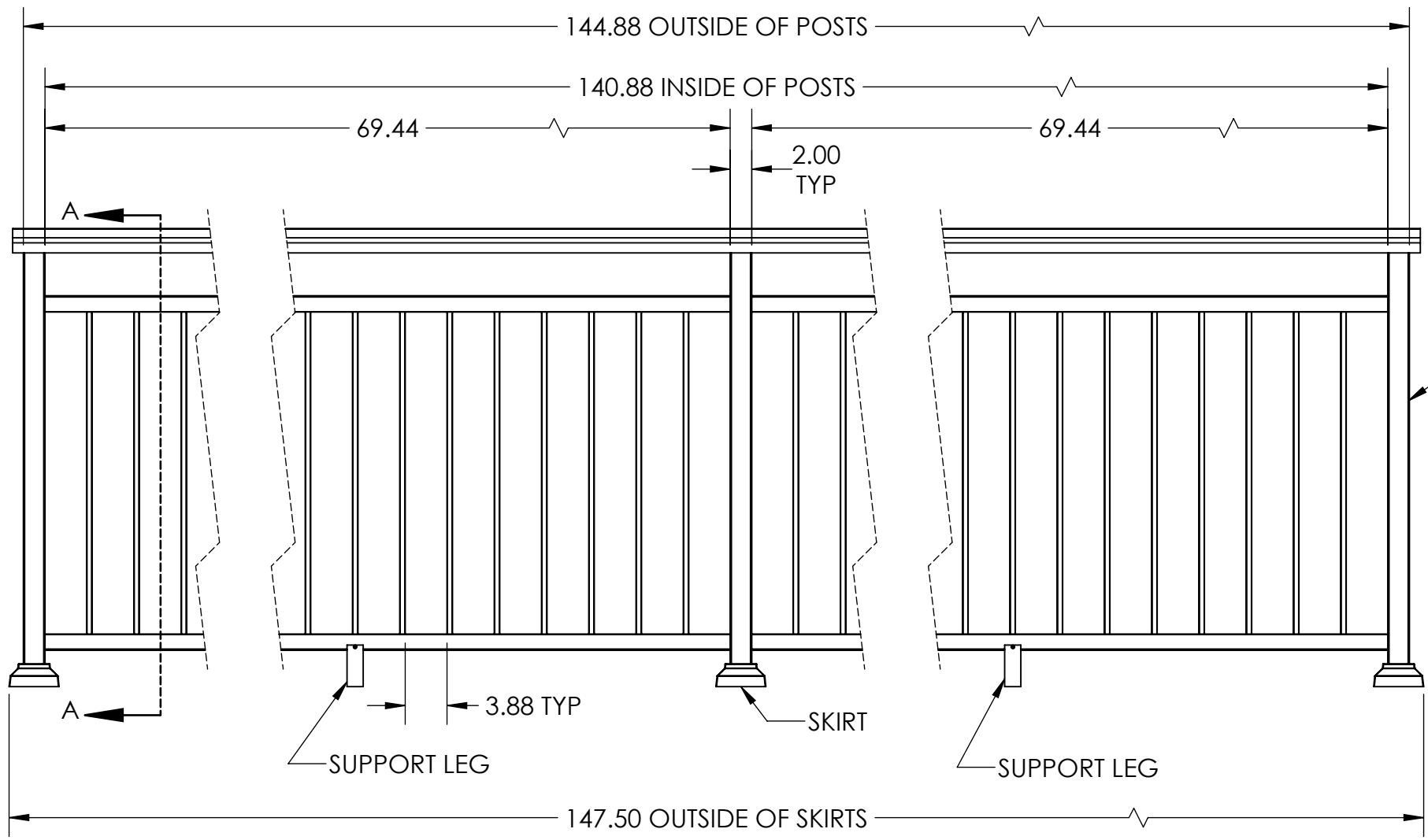
4

3

2

1

REVISIONS - BALLOONS DENOTE CHANGES			
REV.	DESCRIPTION	DATE	APPROVED
A		4/27/2020	ZAG



NOTES:  
1. ALL RAIL MUST BE ASSEMBLED AND FASTENED IN ACCORDANCE WITH ULTRALOX'S INSTALLATION INSTRUCTIONS.  
2. AVAILABLE COLORS ARE BLACK - WHITE - BRONZE.

UNLESS OTHERWISE SPECIFIED:	NAME	DATE
DIMENSIONS ARE IN INCHES	DRAWN	DRC 4/27/20
TOLERANCES:	CHECKED	
SURFACE FINISH: 125 RMS	ENG APPR.	
ANGULAR: ±.5 DEG	MFG APPR.	
LINEAR: .X ±.02		
.XX ±.010		
.XXX ±.005		
THIRD ANGLE PROJECTION:	INTERPRET GEOMETRIC TOLERANCING PER: ASME Y14.5-2009	
MATERIAL	PROPRIETARY AND CONFIDENTIAL	
FINISH	THE INFORMATION CONTAINED IN THIS DRAWING IS THE SOLE PROPERTY OF UltraLox. ANY REPRODUCTION IN PART OR AS A WHOLE WITHOUT THE WRITTEN PERMISSION OF UltraLox.	
DO NOT SCALE DRAWING		

TITLE: CONTINUOUS 42" TOP RAIL PICKET WITH OPEN MID RAIL 2" POSTS - BASE MOUNT 6' SECTIONS		
SIZE	DWG. NO.	REV
<b>B</b>		<b>A</b>
WEIGHT:		SHEET 1 OF 1

4

3

2

1