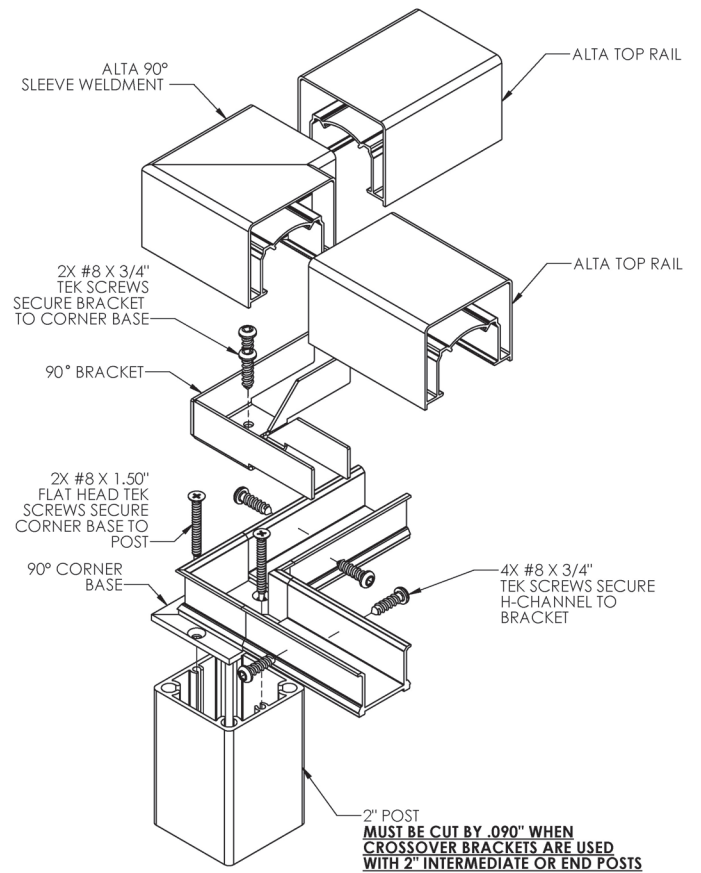
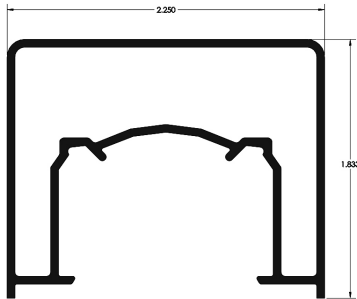




ALTA PRODUCT	PART NUMBER
6' Alta Top Rail	AL893106
8' Alta Top Rail	AL893108
18' Alta Top Rail	AL893118
Alta 90D Sleeve	AL801290
Alta 45D Sleeve	AL801245
Alta End cap	AL825101
Alta Top Rail Wall Mount	AL805202

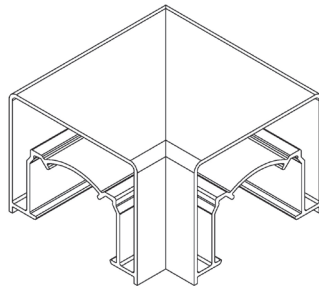
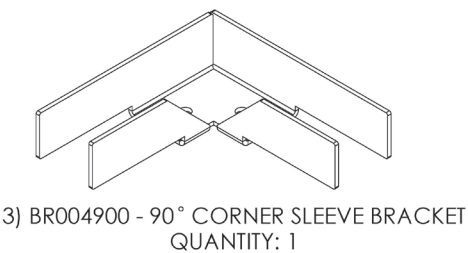
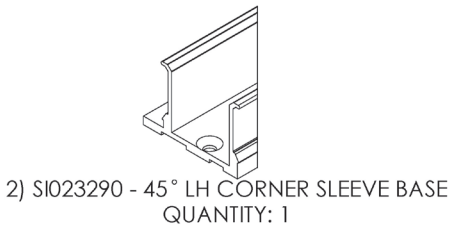
ALTA TOP RAIL



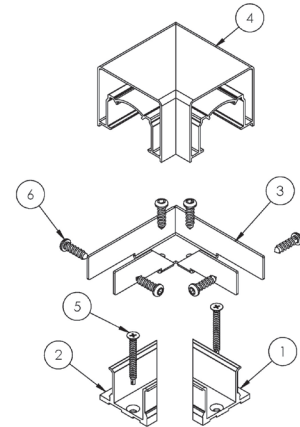
**ALTA 90°
CORNER ASSEMBLY**

MUST BE CUT BY .090\"

ALTA 90° CORNER KIT



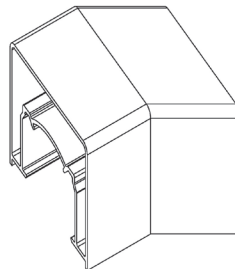
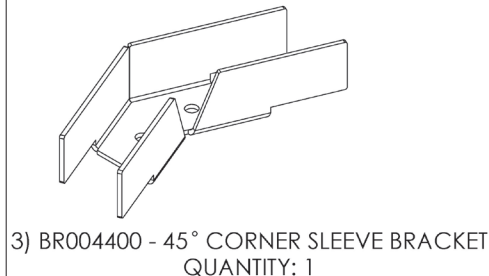
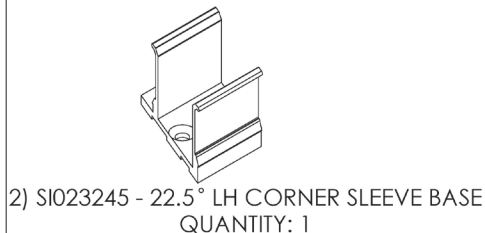
REVISIONS - 0 BALLOONS DENOTE CHANGES			
REV.	DESCRIPTION	DATE	APPROVED
A		8/22/2019	ZAG



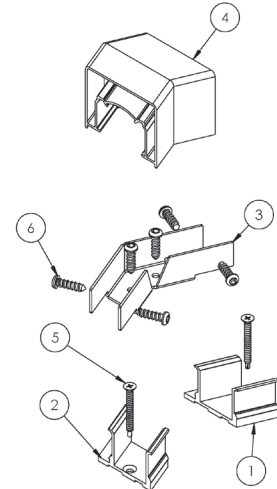
NOTES:
1. QUANTITIES ARE PER 1 KIT

UNLESS OTHERWISE SPECIFIED:				ULTRALOX [®] INTERLOCKING TECHNOLOGY	
DIMENSIONS ARE IN INCHES	TOLERANCES:	DRAWN	NAME	DATE	TITLE:
SURFACE FINISH: 125 RMS	ANGULAR: .5°	CHECKED	DRC	8/22/19	KIT DRAWING 90° WELDED CORNER SLEEVE FOR 2" POST, ALTA TOP RAIL
TWO PLACE DECIMAL ± .000	INTERPRET GEOMETRIC TOLERANCING PER:	ENG APPR.			
THREE PLACE DECIMAL ± .010		MFG APPR.			
THIRD ANGLE PROJECTION					SIZE DWG. NO. REV
					B AL801290 A
					WEIGHT: SHEET 1 OF 1

ALTA 45° CORNER KIT



REVISIONS - 0 BALLOONS DENOTE CHANGES			
REV.	DESCRIPTION	DATE	APPROVED
A		8/22/2019	ZAG



NOTES:
1. QUANTITIES ARE PER 1 KIT

UNLESS OTHERWISE SPECIFIED:				ULTRALOX [®] INTERLOCKING TECHNOLOGY	
DIMENSIONS ARE IN INCHES	TOLERANCES:	DRAWN	NAME	DATE	TITLE:
SURFACE FINISH: 125 RMS	ANGULAR: .5°	CHECKED	DRC	8/22/19	KIT DRAWING 45° WELDED CORNER SLEEVE FOR 2" POST, ALTA TOP RAIL
TWO PLACE DECIMAL ± .000	INTERPRET GEOMETRIC TOLERANCING PER:	ENG APPR.			
THREE PLACE DECIMAL ± .010		MFG APPR.			
THIRD ANGLE PROJECTION					SIZE DWG. NO. REV
					B AL801245 A
					WEIGHT: SHEET 1 OF 1