

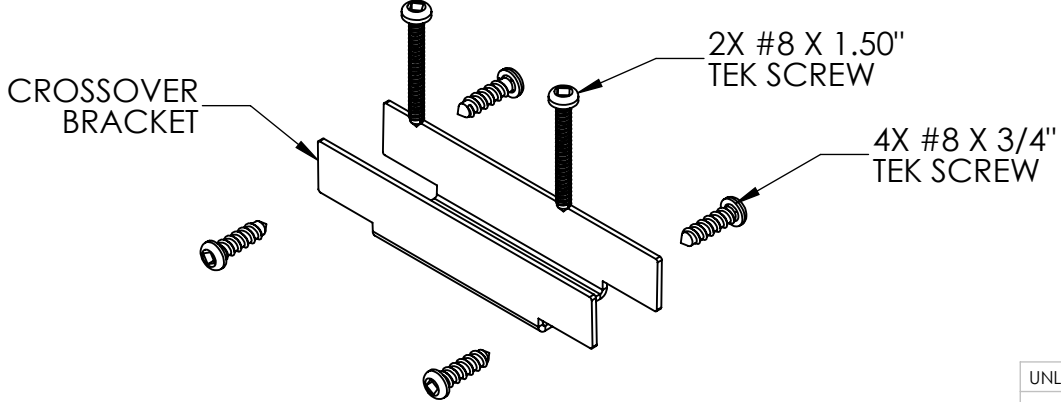
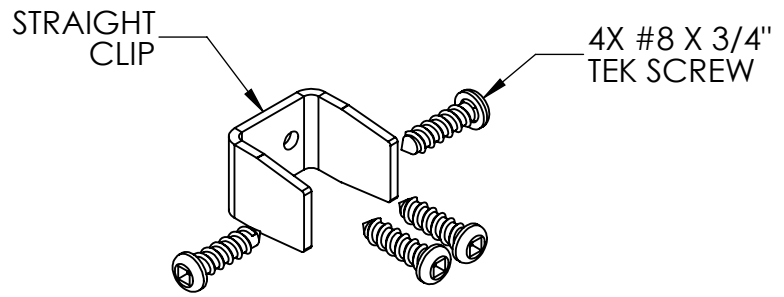
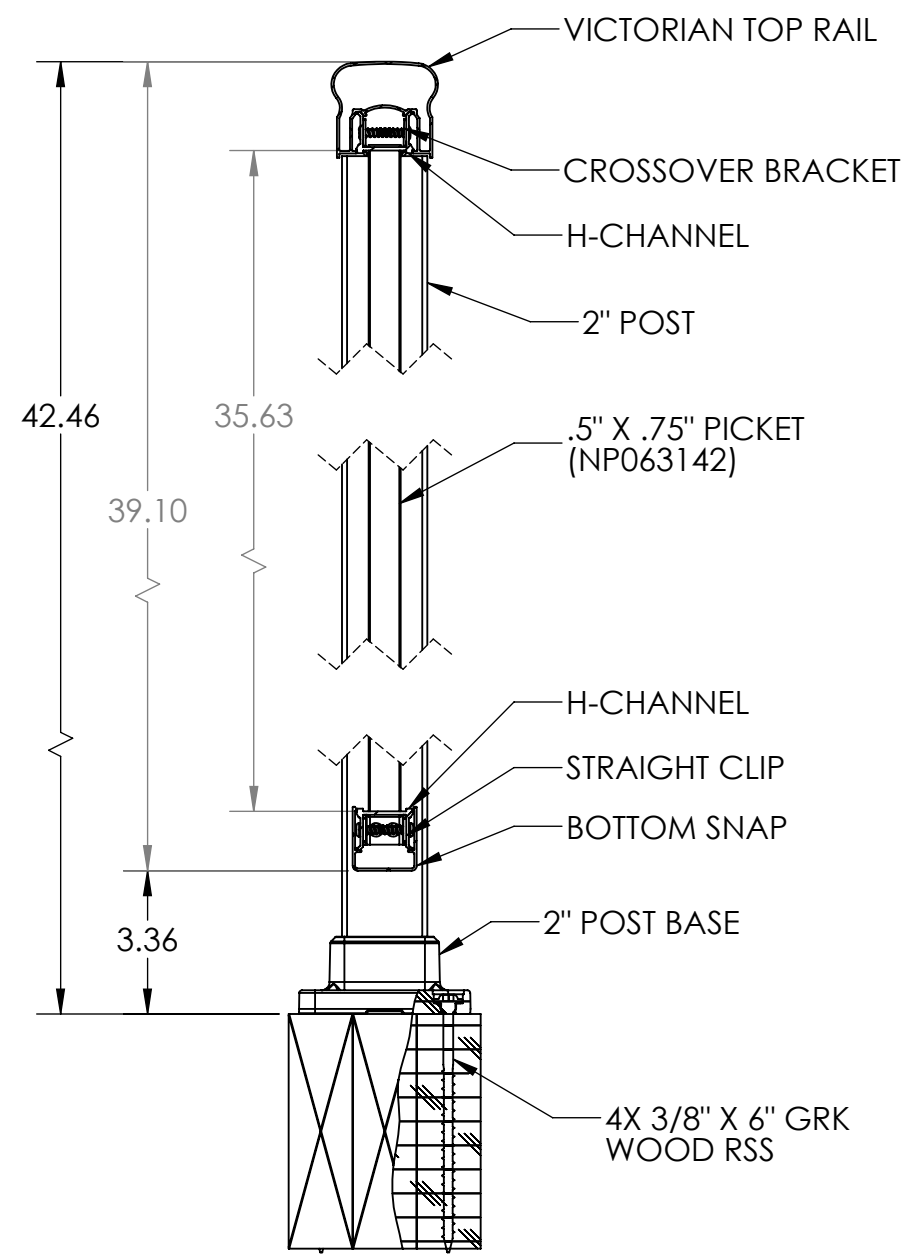
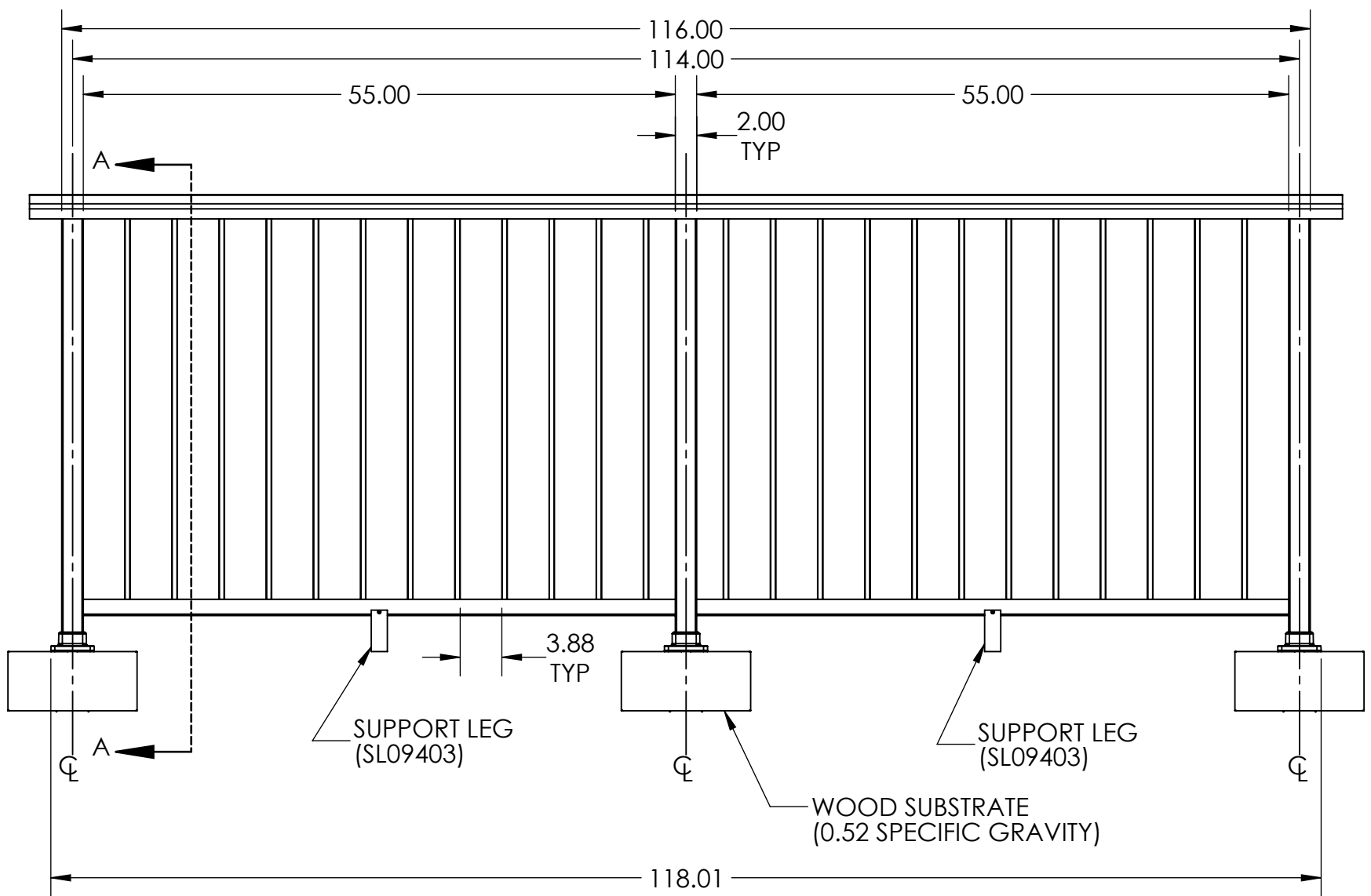
4

3

2

1

REVISIONS - BALLOONS DENOTE CHANGES			
REV.	DESCRIPTION	DATE	APPROVED
A		12/10/2019	ZAG



SECTION A-A

NOTES:
 1. ALL RAIL MUST BE ASSEMBLED AND FASTENED IN ACCORDANCE WITH ULTRALOX'S INSTALLATION INSTRUCTIONS.
 2. AVAILABLE COLORS ARE BLACK - WHITE - BRONZE.

UNLESS OTHERWISE SPECIFIED:	NAME	DATE
DIMENSIONS ARE IN INCHES	DRAWN	DRC 12/10/19
TOLERANCES:	CHECKED	
SURFACE FINISH: 125 RMS	ENG APPR.	
ANGULAR: ±.5 DEG	MFG APPR.	
LINEAR: .X ±.02		
.XX ±.010		
.XXX ±.005		
THIRD ANGLE PROJECTION:	INTERPRET GEOMETRIC TOLERANCING PER: ASME Y14.5-2009	
MATERIAL	PROPRIETARY AND CONFIDENTIAL	
FINISH	THE INFORMATION CONTAINED IN THIS DRAWING IS THE SOLE PROPERTY OF UltraLox. ANY REPRODUCTION IN PART OR AS A WHOLE WITHOUT THE WRITTEN PERMISSION OF UltraLox.	
DO NOT SCALE DRAWING		

ULTRALOX™		
TITLE: SHOP DRAWING, VICTORIAN TOP RAIL, 2" POSTS, 42" PICKETS, 55" SPANS		
SIZE	DWG. NO.	REV
B		A
SCALE: 1:10 WEIGHT:		SHEET 1 OF 1

4

3

2

1