

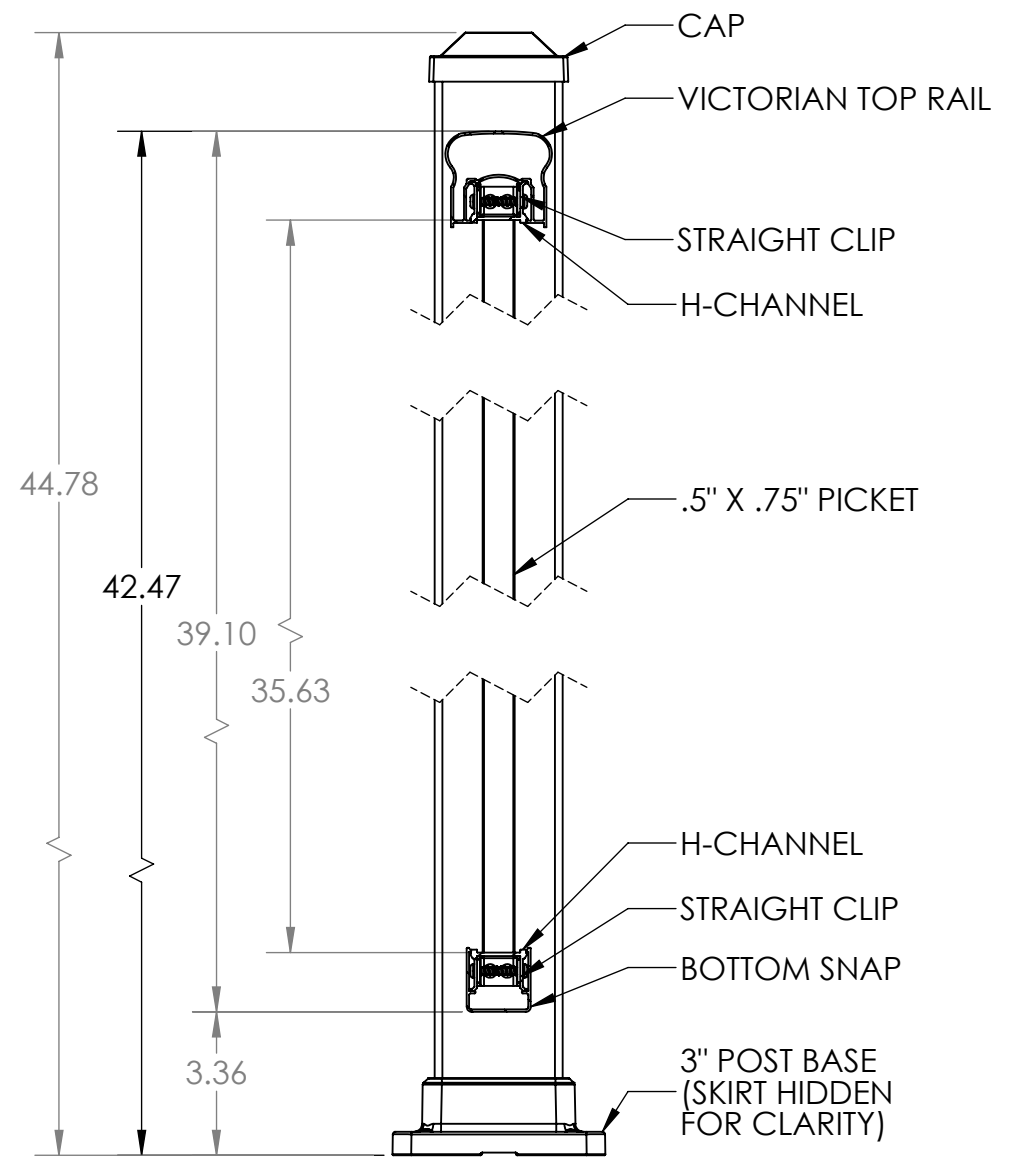
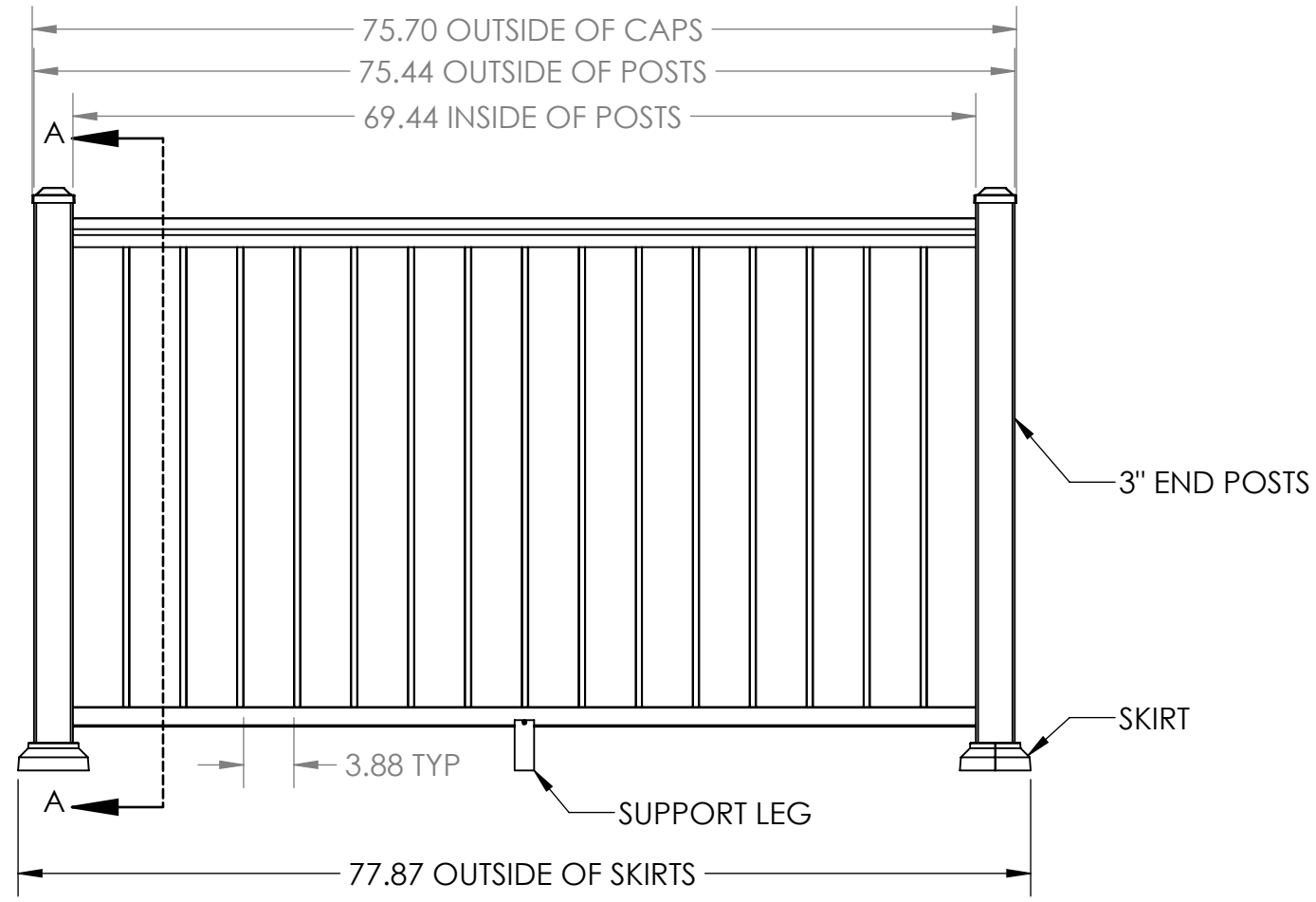
4

3

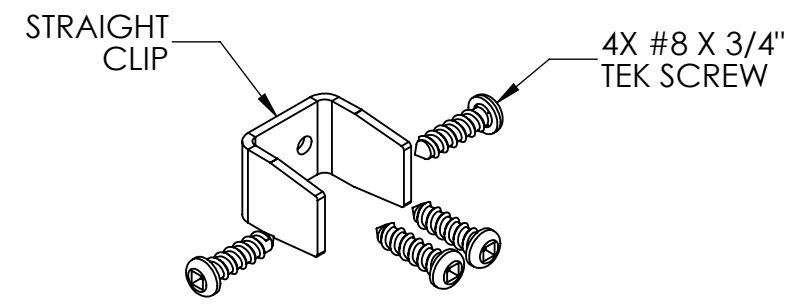
2

1

REVISIONS - BALLOONS DENOTE CHANGES			
REV.	DESCRIPTION	DATE	APPROVED
A		8/8/2017	ZAG



SECTION A-A



4X CLIP DETAIL

NOTES:
1. ALL RAIL MUST BE ASSEMBLED AND FASTENED IN ACCORDANCE WITH ULTRALOX'S INSTALLATION INSTRUCTIONS.
2. AVAILABLE COLORS ARE BLACK - WHITE - BRONZE.

UNLESS OTHERWISE SPECIFIED:		NAME	DATE		
DIMENSIONS ARE IN INCHES		DRAWN	ZAG		8/8/17
TOLERANCES:		CHECKED			
SURFACE FINISH: 125 RMS		ENG APPR.			
ANGULAR: ±.5 DEG		MFG APPR.			
LINEAR: .X ±.02		INTERPRET GEOMETRIC TOLERANCING PER: ASME Y14.5-2009			
.XX ±.010		PROPRIETARY AND CONFIDENTIAL THE INFORMATION CONTAINED IN THIS DRAWING IS THE SOLE PROPERTY OF UltraLox. ANY REPRODUCTION IN PART OR AS A WHOLE WITHOUT THE WRITTEN PERMISSION OF UltraLox.			
.XXX ±.005		TITLE: SHOP DRAWING, VICTORIAN TOP RAIL, 3" END POSTS, 42" PICKETS, 6' SECTION			
THIRD ANGLE PROJECTION:		SIZE DWG. NO.		REV	
MATERIAL		B		A	
FINISH		SCALE: 1:10 WEIGHT:		SHEET 1 OF 1	
DO NOT SCALE DRAWING					

4

3

2

1

4

3

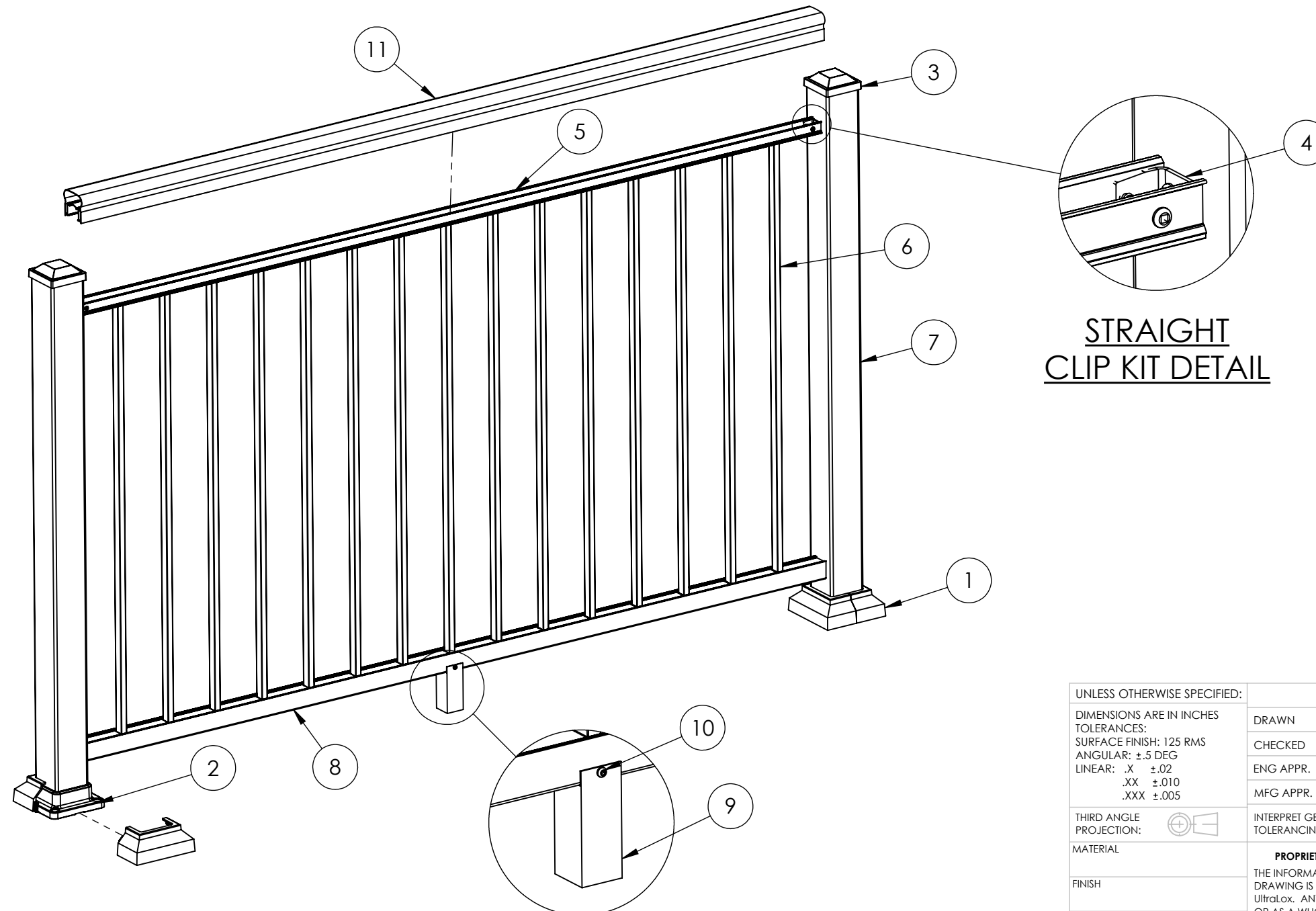
2

1

ITEM NO.	PART NUMBER	DESCRIPTION	QTY.
1	BC015305 3 IN Base Skirt Assembly	3" BASE SKIRT	2
2	BP04450	3" BASE PLATE	2
3	CC04430	3" POST CAP	2
4	CL09410	STRAIGHT CLIP KIT	4
5	NH063106	H-CANNEL 6FT	2
6	NP063100	.50" X .75" X 42" PICKET	15
7	PO843300	3" X 3" X 42" POST	2
8	SH093106	BOTTOM SNAP 6FT	1
9	SL09403	SUPPORT LEG	1
10	ST09934 #8 X .75 TEK Pan Head Screw Color Coded	#8 X .75 TEK SCREW COLOR CODED	1
11	VT393106	VICTORIAN TOP RAIL 6FT	1

REVISIONS - BALLOONS DENOTE CHANGES

REV.	DESCRIPTION	DATE	APPROVED
A		8/8/2017	ZAG



**STRAIGHT
CLIP KIT
DETAIL**

UNLESS OTHERWISE SPECIFIED:

DIMENSIONS ARE IN INCHES
TOLERANCES:
SURFACE FINISH: 125 RMS
ANGULAR: $\pm .5$ DEG
LINEAR: .X $\pm .02$
.XX $\pm .010$
.XXX $\pm .005$

THIRD ANGLE PROJECTION:

MATERIAL

FINISH

DO NOT SCALE DRAWING

NAME	DATE
ZAG	8/8/17

DRAWN

CHECKED

ENG APPR.

MFG APPR.

INTERPRET GEOMETRIC TOLERANCING PER: ASME Y14.5-2009

PROPRIETARY AND CONFIDENTIAL

THE INFORMATION CONTAINED IN THIS DRAWING IS THE SOLE PROPERTY OF UltraLox. ANY REPRODUCTION IN PART OR AS A WHOLE WITHOUT THE WRITTEN PERMISSION OF UltraLox.

TITLE: **BOM DRAWING,
VICTORIAN TOP RAIL,
3" END POSTS,
42" PICKETS, 6' SECTION**

SIZE DWG. NO.

B

REV

A

SCALE: 1:10 WEIGHT:

SHEET 1 OF 1

4

3

2

1

B

A